

# 化学隔膜泵 ME 4C NT

[网站链接](#)

## 产品说明

专为化学设计的隔膜泵是针对腐蚀性气体和蒸汽的一种持续的、无油抽气的优秀解决方案。单级泵的结构同时具有抽气速度大和达70mbar的极限真空的优点。所有与被抽介质接触的主要部件均由化学防腐的氟塑料制成。经广泛验证的PTFE“三明治”夹层结构膜片不仅增加了稳定性，而且延长了运行寿命。最新的NT系列进一步改良了泵的表现力，具有更优异的化学防腐性。ME 4C NT也有化学真空系统ME 4C NT +2AK提供，进气口的分离瓶可防止颗粒或者液滴进入泵内，出气口的收集瓶可以收集冷凝液。

## 性能特点

- 卓越的化学耐腐蚀性
- 在较高真空度下仍具有非常好的性能
- 排气安静
- 振动超低
- 膜片寿命长，驱动系统免维护

## 订购信息

产品名称	额定电源电压 工作频率	电源插头类型	订货号
ME 4C NT	230 V   50-60 Hz	CEE	20731200
ME 4C NT	230 V   50-60 Hz	CH, CN	20731201
ME 4C NT	230 V   50-60 Hz	UK, IN	20731202
ME 4C NT	100-115 V   50-60 Hz 120 V   60 Hz	US	20731203

## 货品配置

泵体安装完毕, 连接即可使用, 附带说明书

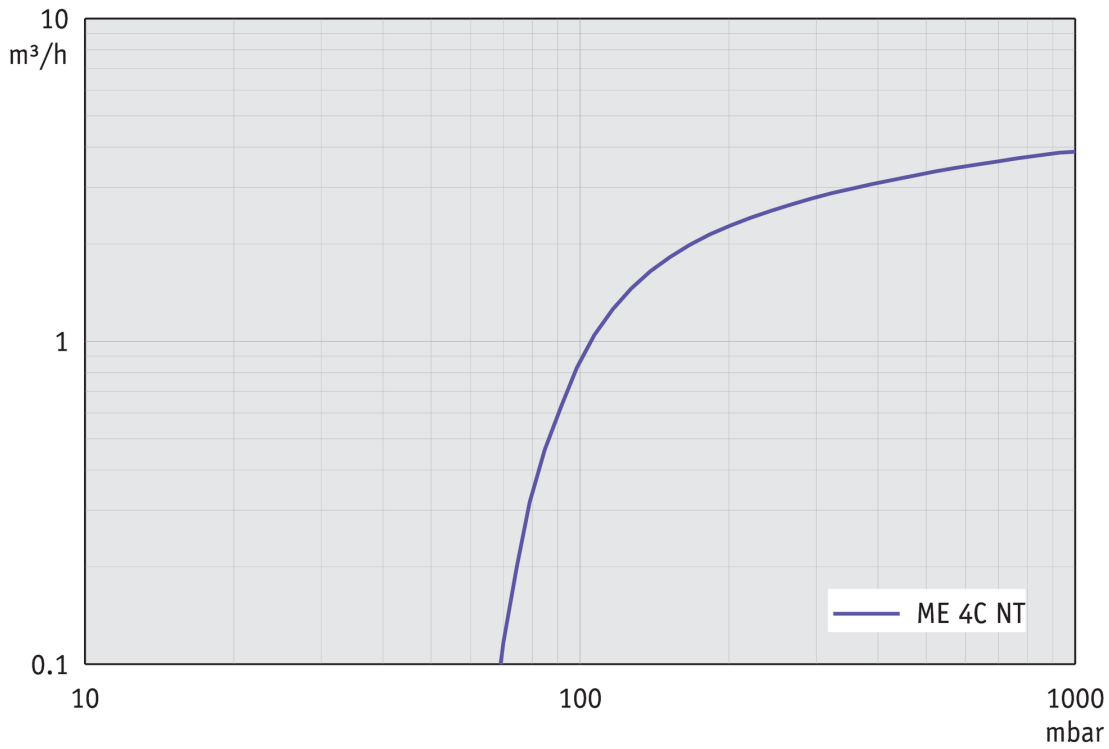
## 配件

- DN 8-10mm (20636588)
- 橡胶真空管 DN 8 mm (20686001)

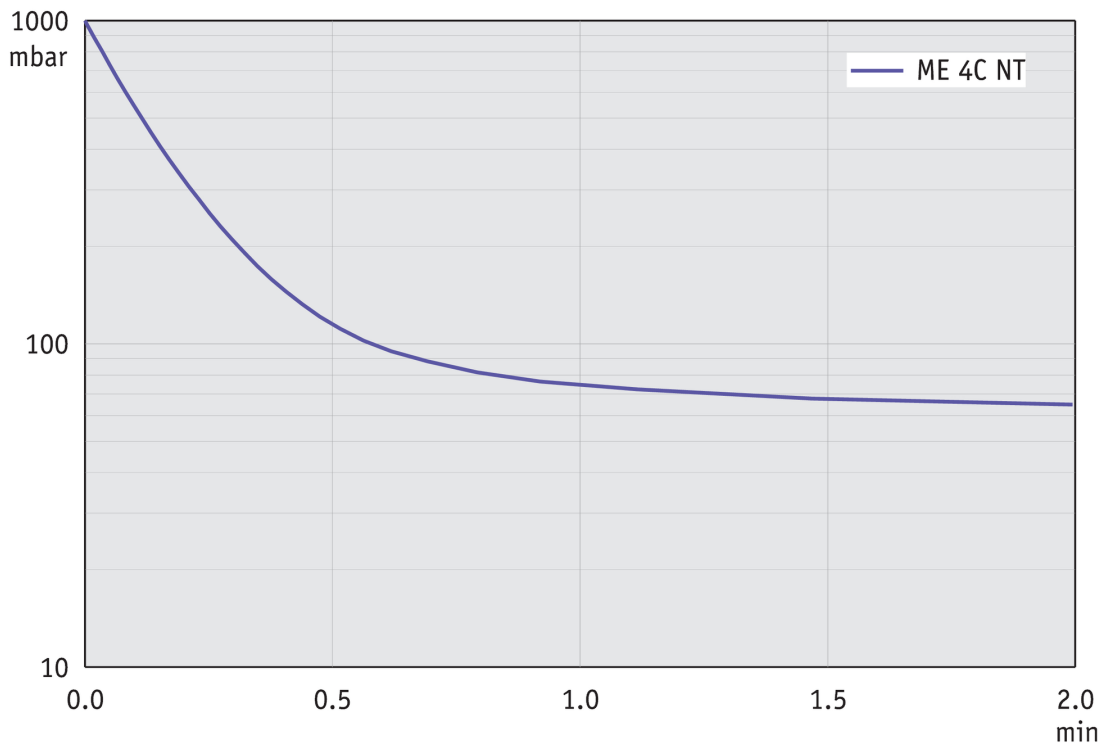
## 技术指标

50 Hz 最大抽速 (mbar)	3.9 m <sup>3</sup> /h
60 Hz 最大抽速 (cfm)	2.6 cfm
极限真空	70 mbar / 52 torr
泵头数	2
泵级数	1
的允许环境温度范围 (运行)	10 - 40 °C
的允许环境温度范围 (存放)	-10 - 60 °C
最大出气口压力 (绝对压力)	1.1 bar
进气口连接	软管喷嘴接头 DN 8-10 mm
出气口连接	软管喷嘴接头 DN 8-10 mm
额定电机功率	0.18 kW
额定转速 50/60 Hz	1500/1800 min <sup>-1</sup>
防护等级	IP 40
尺寸 (长×宽×高)	254 mm x 243 mm x 198 mm
重量	11.1 kg
噪音水平 50 Hz/1500 Upm/62% (VARIO)/1500 Upm (VARIO-SP)/12500 Upm (VACUU·PURE®)	45 dBA
NRTL 标准	是

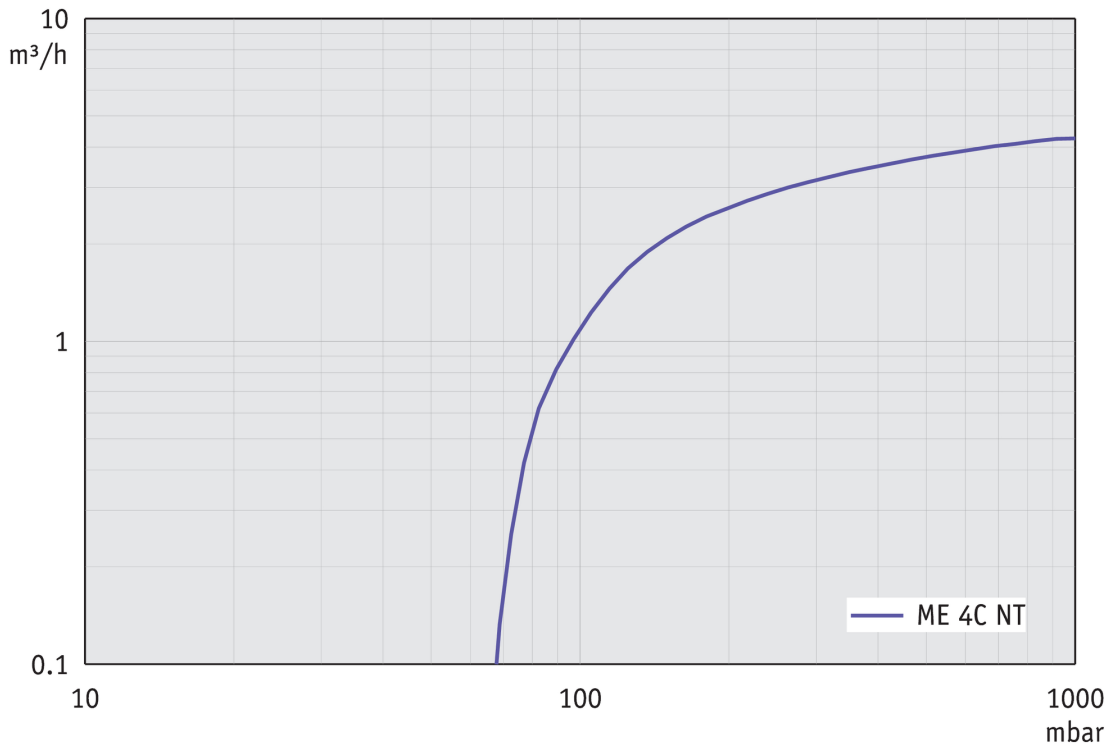
50 Hz下的抽速曲线



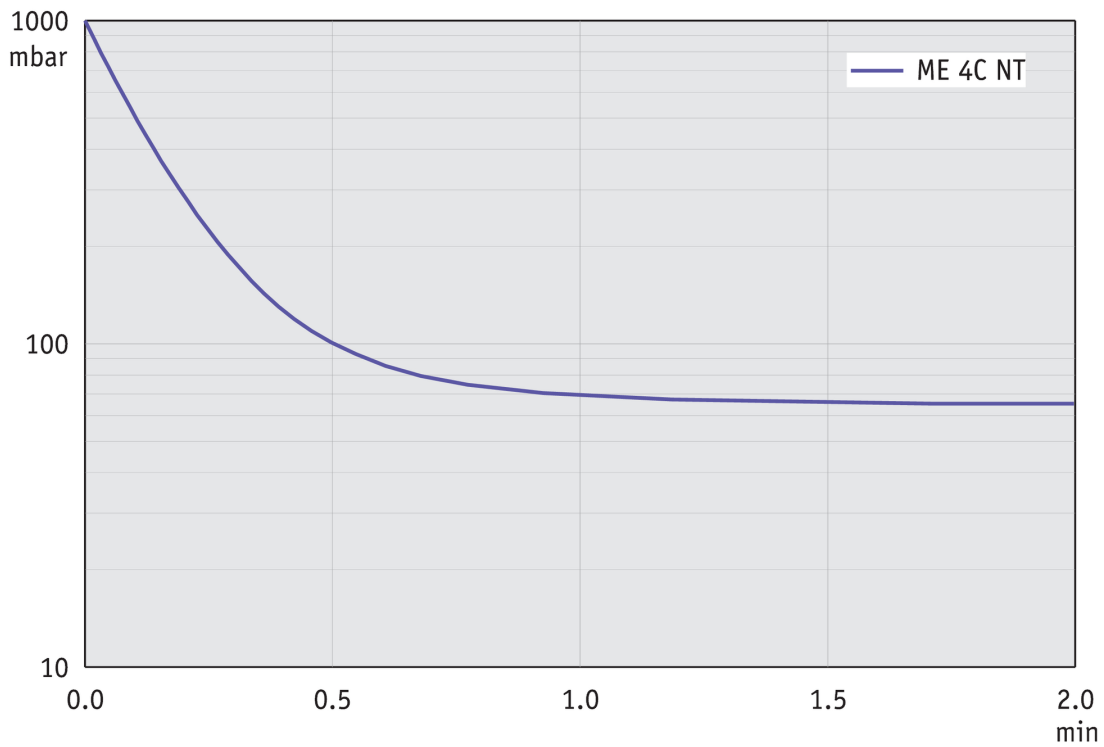
50 Hz下的抽气曲线 (10升容积)



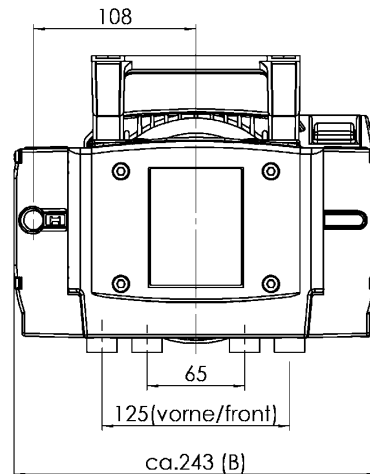
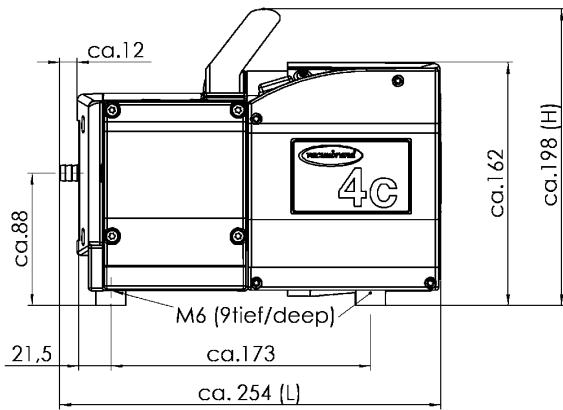
## 60 Hz下的抽速曲线



## 60 Hz下的抽气曲线 (10升容积)

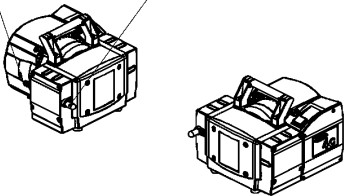


尺寸规格表



EX - Schlauchwelle 10  
hose nozzle 10

IN - Schlauchwelle 10  
hose nozzle 10



Alle Maße / all dimensions (mm)

VACUUBRAND ME 4C NT  
Version 2009/03/17

VACUUBRAND GMBH + CO KG  
P.O. Box 1664  
97877 Wertheim  
T +49 9342 808 5550  
F +49 9342 808 5555

info@vacuubrand.com  
www.vacuubrand.com

**VACUUBRAND®**

VACUUBRAND is part of the Brand group, a manufacturer of high-quality and innovative laboratory equipment and vacuum technology with a global team of approx. 1,000 employees.

With highly motivated and qualified employees, we manufacture the world's most comprehensive product family for vacuum generation, measurement and control for the rough and fine vacuum range in the laboratory.

**All with one goal:**

Enabling our customers to run reliable, safe and efficient processes. This is why we commit ourselves to continuous innovation, first-class performance, and outstanding quality.

Engineering excellence is central to our ability to deliver products and solutions renowned for their quality, durability, and reliability. Innovative technology, high quality materials and extensive testing deliver unmatched performance - engineered and manufactured in Germany.

Together with you, our experts will find the best solution for your application and provide you with first-class service along the way.

BRAND (Shanghai) Trading Co., Ltd.  
Shanghai, China

T +86 21 6422 2318  
info@brand.com.cn  
china.brand.com.cn

BRAND Scientific Equipment Pvt. Ltd.  
Mumbai, India

T +91 22 42957790  
customersupport@brand.co.in  
www.brand.co.in

BRANDTECH® Scientific, Inc.  
Essex, CT. United States of America

T +1 860 767 2562  
info@brandtech.com  
www.brandtech.com