

化学真空系统 MD 4C NT +2AK

[网站链接](#)

产品说明

该化学真空系统在化学、生物和制药等实验室应用广泛，主要用于不需要在出气口收集溶剂蒸汽冷凝液的气体或蒸汽的抽取、蒸发等过程。系统可很好地满足高沸点溶剂的真空需求。典型的应用有连接真空浓缩仪、旋转蒸发仪和干燥箱。分离瓶为玻璃材质，外覆保护膜。进气口的分离瓶主要防止颗粒和液滴进入泵内；出气口的分离瓶用于收集冷凝液，防止冷凝液倒流回泵内，并使泵在运行时更加安静。

性能特点

- 卓越的化学耐腐蚀性和蒸汽耐受性
- 在较高真空度下仍具有非常好的性能
- 使用气镇仍能达到很好的极限真空
- 排气安静，振动极低
- 进气口和出气口分别配分离瓶用以收集冷凝物

订购信息

| 产品名称 | 额定电源电压 工作频率 | 电源插头类型 | 订货号 |
|---------------|---------------------------------------|--------|----------|
| MD 4C NT +2AK | 230 V 50-60 Hz | CEE | 20736600 |
| MD 4C NT +2AK | 100-115 V 50-60 Hz 120 V 60 Hz | US | 20736603 |

货品配置

真空系统安装完毕，连接即可使用，附带说明书

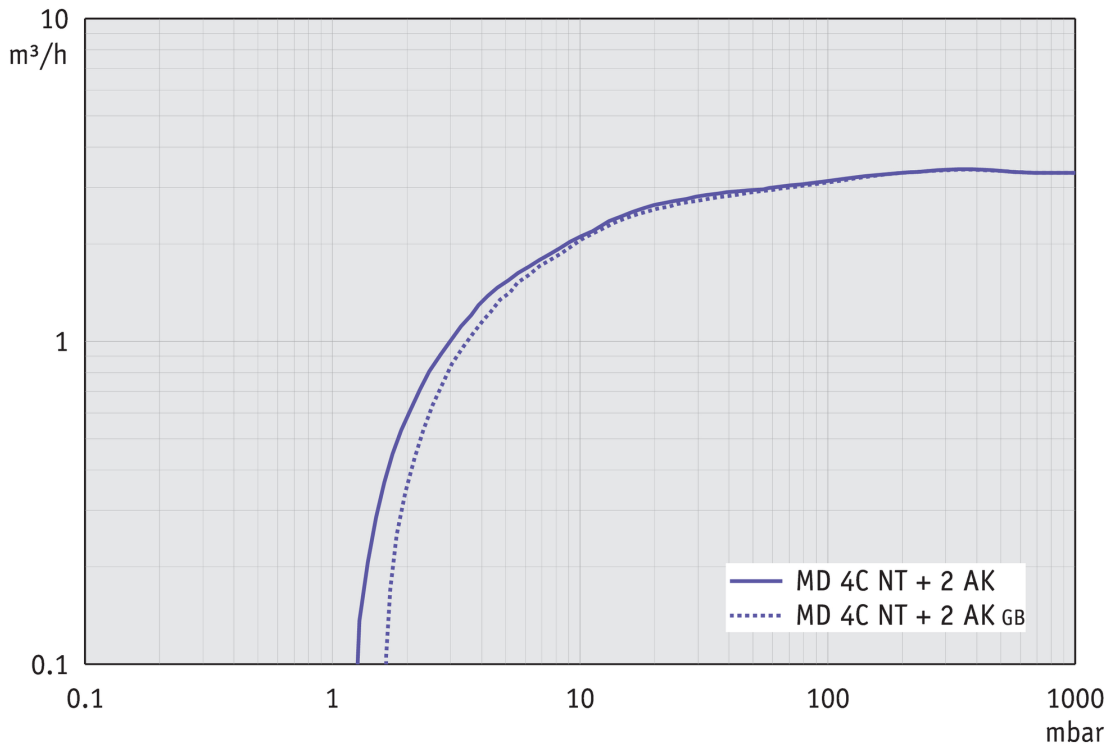
配件

- DN 8-10mm (20636588)
- VACUU-LAN® 模块 Einstellwinkel 90° (20637873)
- 橡胶真空管 DN 8 mm (20686001)

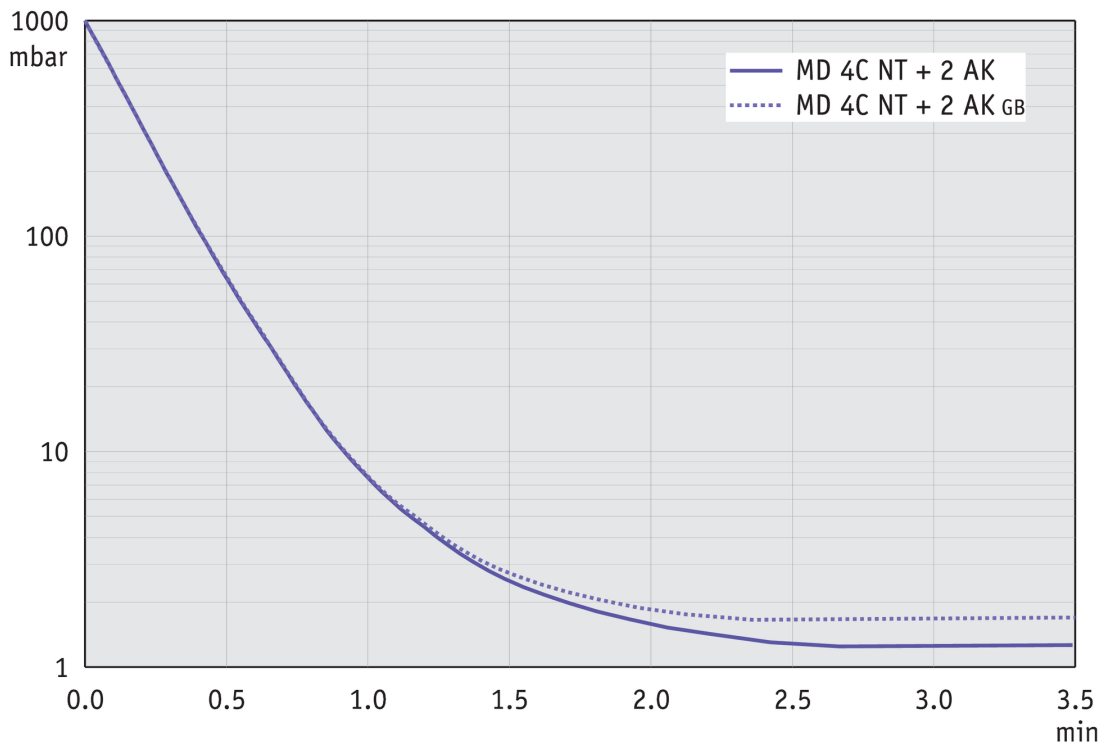
技术指标

| | |
|---|-----------------------------|
| 50 Hz 最大抽速 (mbar) | 3.4 m ³ /h |
| 60 Hz 最大抽速 (cfm) | 2.2 cfm |
| 极限真空 | 1.5 mbar / 1.1 torr |
| 极限真空, 使用气镇 | 3 mbar / 2.2 torr |
| 泵头数 | 4 |
| 泵级数 | 3 |
| 的允许环境温度范围 (运行) | 10 - 40 °C |
| 的允许环境温度范围 (存放) | -10 - 60 °C |
| 最大出气口压力 (绝对压力) | 1.1 bar |
| 进气口连接 | 软管喷嘴接头 DN 8-10 mm |
| 出气口连接 | 软管喷嘴接头 DN 8-10 mm |
| 额定电机功率 | 0.25 kW |
| 额定转速 50/60 Hz | 1500/1800 min ⁻¹ |
| 防护等级 | IP 40 |
| 尺寸 (长x宽x高) | 319 mm x 243 mm x 374 mm |
| 重量 | 16.7 kg |
| 噪音水平 50 Hz/1500 Upm/62% (VARIO)/1500 Upm (VARIO-SP)/12500 Upm (VACUU·PURE®) | 45 dBA |
| NRTL 标准 | 是 |

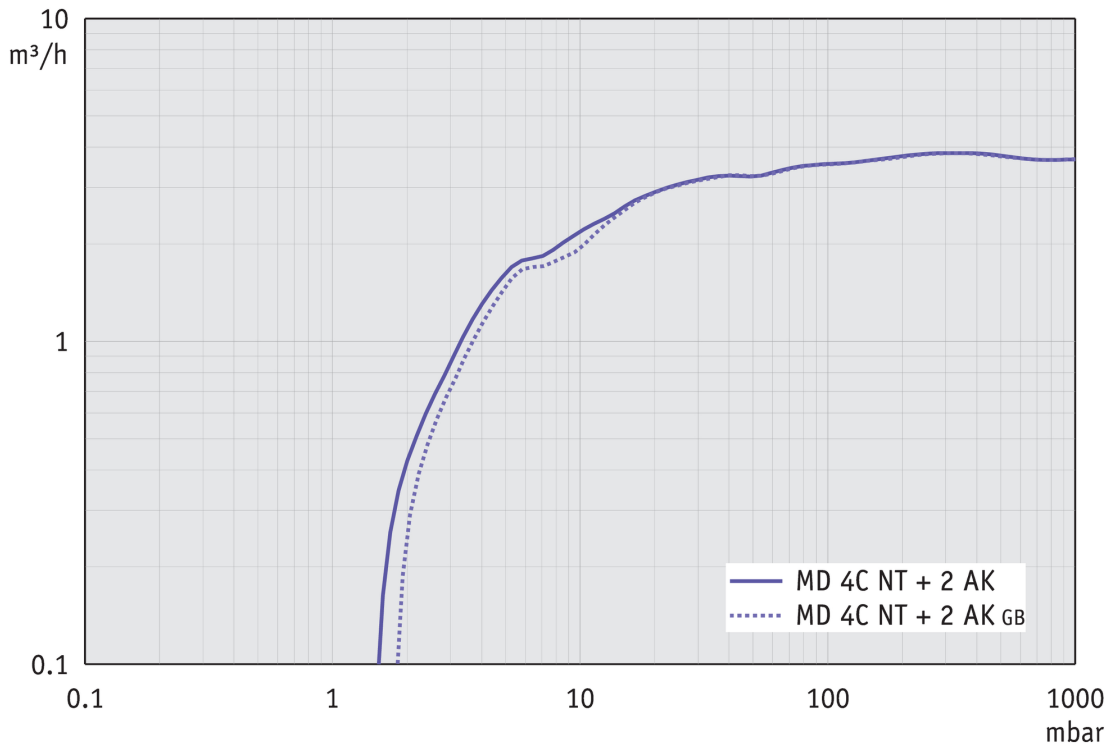
50 Hz下的抽速曲线



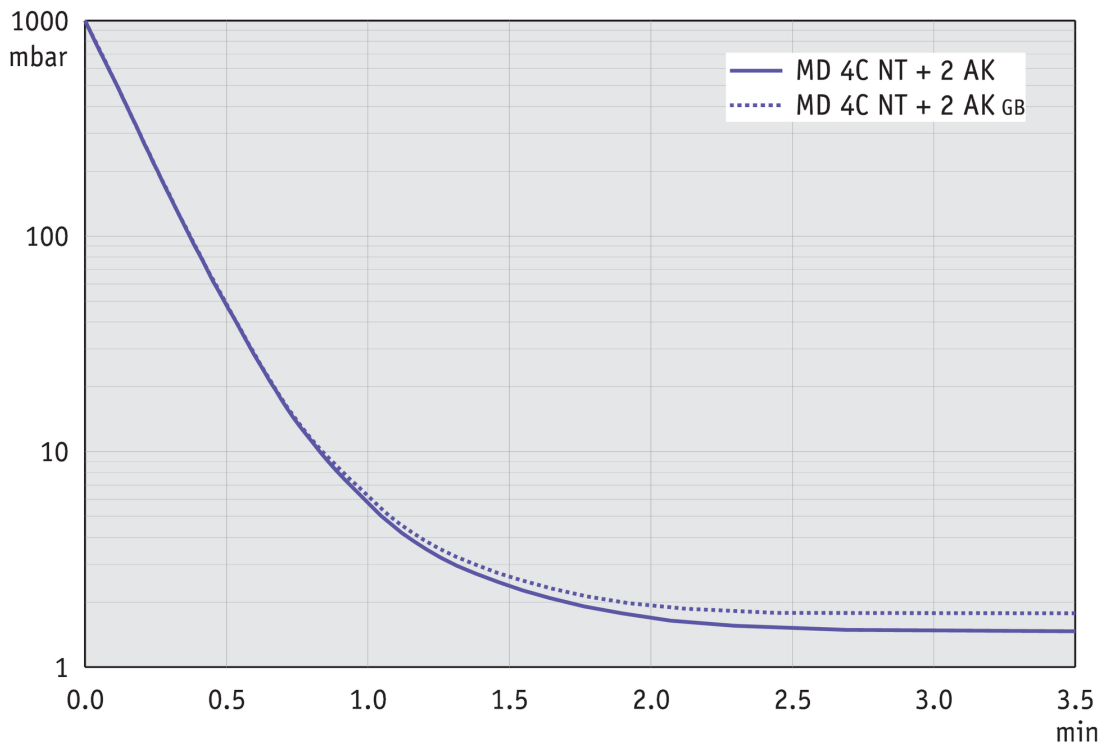
50 Hz下的抽气曲线 (10升容积)



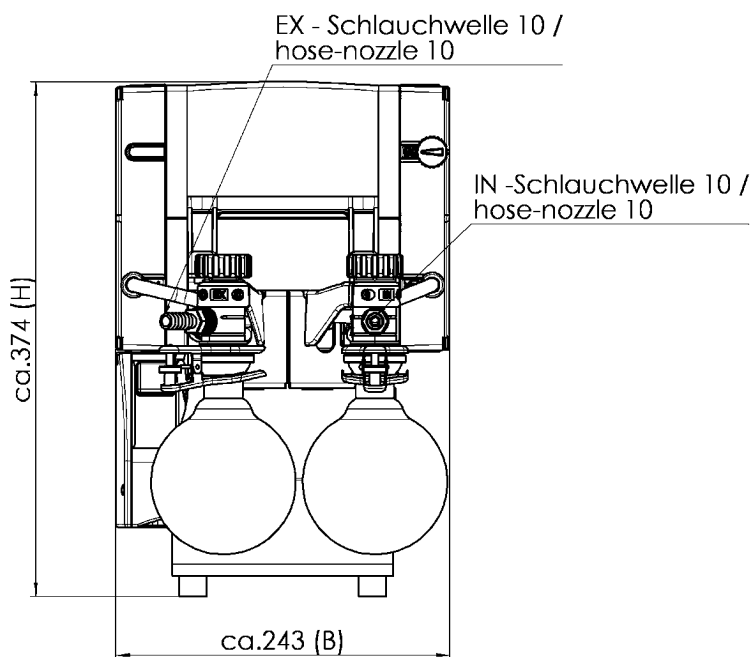
60 Hz下的抽速曲线



60 Hz下的抽气曲线 (10升容积)

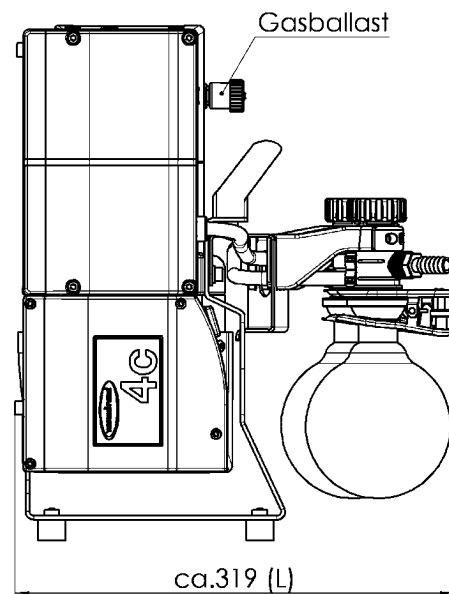


尺寸规格表



Alle Maße / all dimensions (mm)

Gewicht / weight: 16,7 kg



VACUUBRAND MD 4C NT 2AK
Version 2009/03/16

VACUUBRAND GMBH + CO KG
P.O. Box 1664
97877 Wertheim
T +49 9342 808 5550
F +49 9342 808 5555

info@vacuubrand.com
www.vacuubrand.com

VACUUBRAND®

VACUUBRAND is part of the Brand group, a manufacturer of high-quality and innovative laboratory equipment and vacuum technology with a global team of approx. 1,000 employees.

With highly motivated and qualified employees, we manufacture the world's most comprehensive product family for vacuum generation, measurement and control for the rough and fine vacuum range in the laboratory.

All with one goal:

Enabling our customers to run reliable, safe and efficient processes. This is why we commit ourselves to continuous innovation, first-class performance, and outstanding quality.

Engineering excellence is central to our ability to deliver products and solutions renowned for their quality, durability, and reliability. Innovative technology, high quality materials and extensive testing deliver unmatched performance - engineered and manufactured in Germany.

Together with you, our experts will find the best solution for your application and provide you with first-class service along the way.

BRAND (Shanghai) Trading Co., Ltd.
Shanghai, China

T +86 21 6422 2318
info@brand.com.cn
china.brand.com.cn

BRAND Scientific Equipment Pvt. Ltd.
Mumbai, India

T +91 22 42957790
customersupport@brand.co.in
www.brand.co.in

BRANDTECH® Scientific, Inc.
Essex, CT. United States of America

T +1 860 767 2562
info@brandtech.com
www.brandtech.com