

真空吸液系统 BVC control

网站链接



产品说明

BioChem VacuuCenter BVC control 真空吸液系统是用于吸取上浮物的高效便捷的手段。可以通过电子触摸板灵敏地调节真空度水平和吸力，操作过程精确且可重复。耐化学腐蚀的真空泵可根据需求自动开启或关闭，可以进一步降低噪音水平。BVC control有收集瓶规格不同的两种全套系统可选。2升带覆膜的玻璃收集瓶具有非常好的耐腐蚀性，如需更大容积可选4升坚固的PP塑料瓶。系统表面整洁，便于清理。

性能特点

- 化学隔膜泵功能强大，寿命长，满足常规经济型使用
- 结构非常紧凑，节省空间，噪音低，非常适合在工作台上使用
- 使用触摸板电子调控吸力，操作非常便捷，吸力可调为强劲或灵敏
- 可高温高压灭菌的收集瓶通过设计降低了气溶胶和泡沫的生成；可高温高压灭菌的快速接头为可选附件
- 可接入第二套吸液手柄（VHC^{pro}），供两个使用者共用

订购信息

产品名称	额定电源电压 工作频率	电源插头类型	订货号
BVC control	230 V 50-60 Hz	CEE	20727200
BVC control	230 V 50-60 Hz	CH	20727201
BVC control	230 V 50-60 Hz	UK, IN	20727202
BVC control	100-115 V 50-60 Hz 120 V 60 Hz	US	20727203
BVC control	230 V 50-60 Hz	CN	20727206

货品配置

吸液系统装配好强劲的化学隔膜泵，收集瓶，可调的吸力控制触摸面板，VHC^{PRO}吸液手柄，连接即可使用，附带说明书

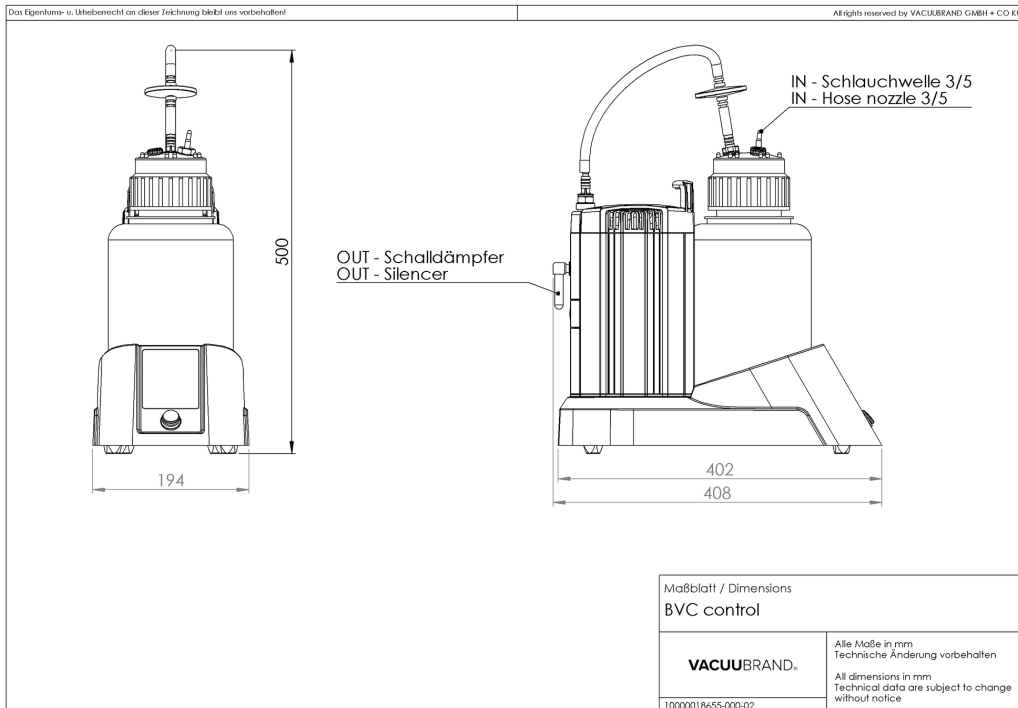
配件

- VacuuHandControl VHC^{PRO} (20688061)
- BVC 4升PP塑料瓶 BVC (20635810)
- BVC Bottle (20638246)
- VHC^{PRO}吸液手柄支架 VHC^{PRO} (20635680)
- VHC^{PRO} 八道吸头适配器，带吸头脱卸按钮 BVC (20635679)
- BVC托盘 BVC shuttle (20696880)
- BVC 4升PP塑料瓶 BVC (20635810)
- BVC Bottle (20638246)
- VHC^{PRO}吸液手柄支架 VHC^{PRO} (20635680)
- VHC^{PRO} 八道吸头适配器，带吸头脱卸按钮 BVC (20635679)
- BVC托盘 BVC shuttle (20696880)
- 密封圈套装 ME 1, ME 1C, VP 100, VP 100C (20696874)

技术指标

50 Hz 最大抽速 (m ³ /h)	0.7 m ³ /h
60 Hz 最大抽速 (真空泵)	0.5 cfm
极限真空	150 mbar / 112 torr
泵头数	1
泵级数	1
真空控制器	Touchpanel
收集瓶	4l Polypropylene
的允许环境温度范围 (运行)	10 - 40 °C
的允许环境温度范围 (存放)	-10 - 60 °C
最大出气口压力 (绝对压力)	1.1 bar
进气口连接	手柄
出气口连接	DN 8 mm 软管喷嘴接头 / 消音器
额定电机功率	0.04 kW
额定转速 50/60 Hz	1500/1800 min ⁻¹
防护等级	IP 40
尺寸 (长x宽x高)	408 mm x 194 mm x 500 mm
重量	7.7 kg
噪音水平 50 Hz/1500 Upm/62% (VARIO)/1500 Upm (VARIO-SP)/12500 Upm (VACUU·PURE®)	49 dBA
NRTL 标准	否

尺寸规格表



VACUUBRAND GMBH + CO KG
P.O. Box 1664
97877 Wertheim
T +49 9342 808 5550
F +49 9342 808 5555

info@vacuubrand.com
www.vacuubrand.com

VACUUBRAND®

VACUUBRAND is part of the Brand group, a manufacturer of high-quality and innovative laboratory equipment and vacuum technology with a global team of approx. 1,000 employees.

With highly motivated and qualified employees, we manufacture the world's most comprehensive product family for vacuum generation, measurement and control for the rough and fine vacuum range in the laboratory.

All with one goal:

Enabling our customers to run reliable, safe and efficient processes. This is why we commit ourselves to continuous innovation, first-class performance, and outstanding quality.

Engineering excellence is central to our ability to deliver products and solutions renowned for their quality, durability, and reliability. Innovative technology, high quality materials and extensive testing deliver unmatched performance - engineered and manufactured in Germany.

Together with you, our experts will find the best solution for your application and provide you with first-class service along the way.

BRAND (Shanghai) Trading Co., Ltd.
Shanghai, China

T +86 21 6422 2318
info@brand.com.cn
china.brand.com.cn

BRAND Scientific Equipment Pvt. Ltd.
Mumbai, India

T +91 22 42957790
customersupport@brand.co.in
www.brand.co.in

BRANDTECH® Scientific, Inc.
Essex, CT. United States of America

T +1 860 767 2562
info@brandtech.com
www.brandtech.com