

Pompe à membrane ME 16 NT VARIO select

[Lien vers le site web](#)



Description du produit

Caractéristiques

Référence de commande

Désignation	Tension fréquence nominales	Type de fiche secteur	Référence
ME 16 NT VARIO select	100-120 V 50-60 Hz	US	25741153

Livraison

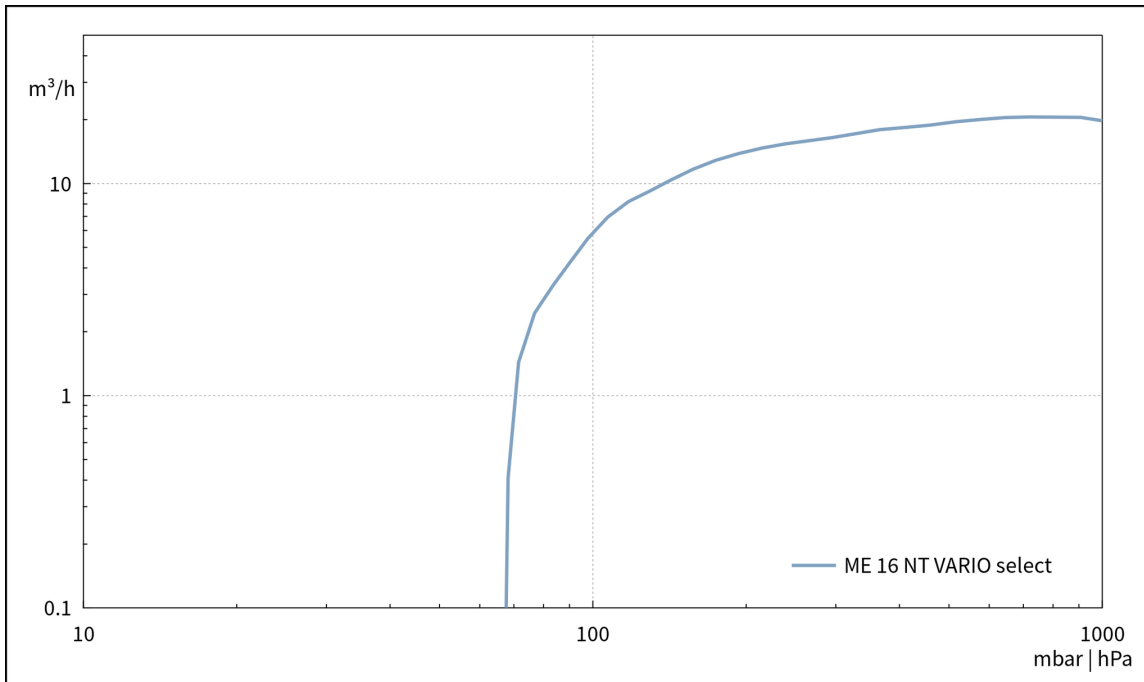
Pompe complète, prête à l'emploi, silencieux avec manuel d'utilisation

Accessoires

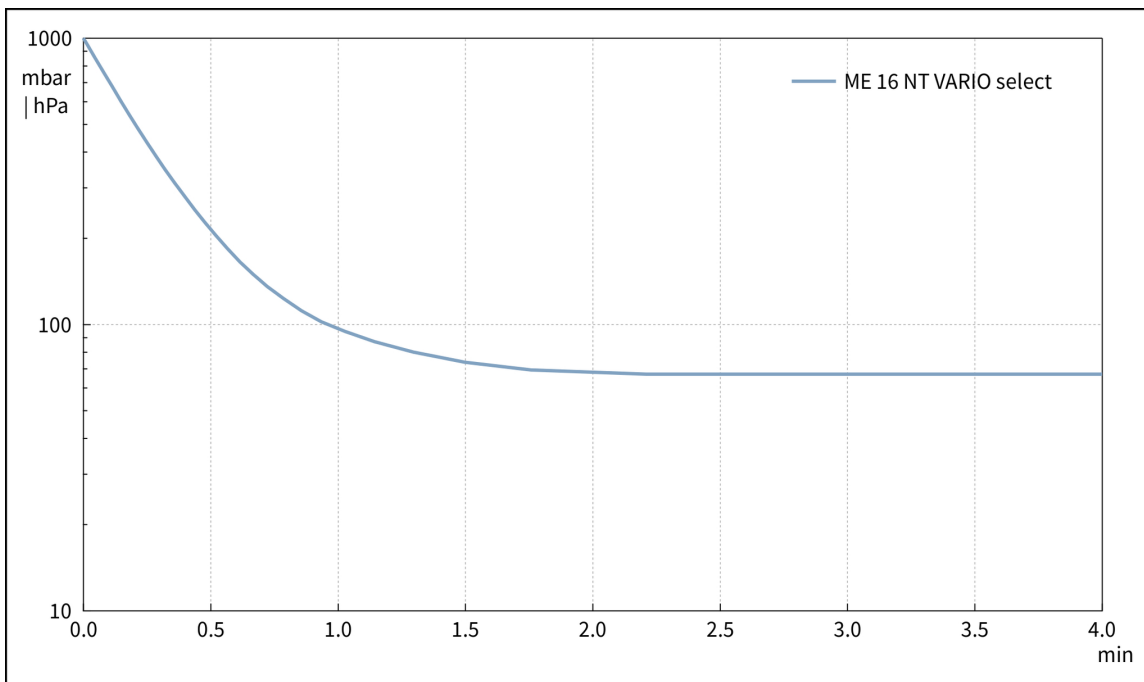
Caractéristiques techniques

Débit maximale 50 Hz (mbar)	19 m ³ /h
Débit maximale 60 Hz (cfm)	11.2 cfm
Vide limite	70 mbar / 53 torr
Nombre de cylindres	8
Nombre de d'étages	1
Type d'affichage / de contrôleur de vide	VACUU·SELECT
Température ambiante maxi admissible (service)	10 - 40 °C
Température ambiante maxi admissible (stockage)	-10 - 60 °C
Pression max. à l'échappement (abs.)	1.1 bar
Raccord côté aspiration	Petite bride KF DN 25
Raccord côté pression	G1/2"
Puissance nominale du moteur	0.53 kW
Plage de vitesse de rotation	30 - 2400 min ⁻¹
Classe de protection IP selon IEC 60529	IP 40
Dimensions (L x P x H)	552 mm x 260 mm x 450 mm
Poids	31.6 kg
Bruit (niveau de pression acoustique) en dBA à 50 Hz ou 1500 tr/min/ 62% (VARIO)/1500 tr/min (VARIO-SP)/12500 Upm (VACUU·PURE®)	54 dBA
Certification NRTL	Non
Interface	Ethernet (RJ45): Modbus TCP / USB (Type A): Data transfer, software update, RS-232 (additional adapter required)

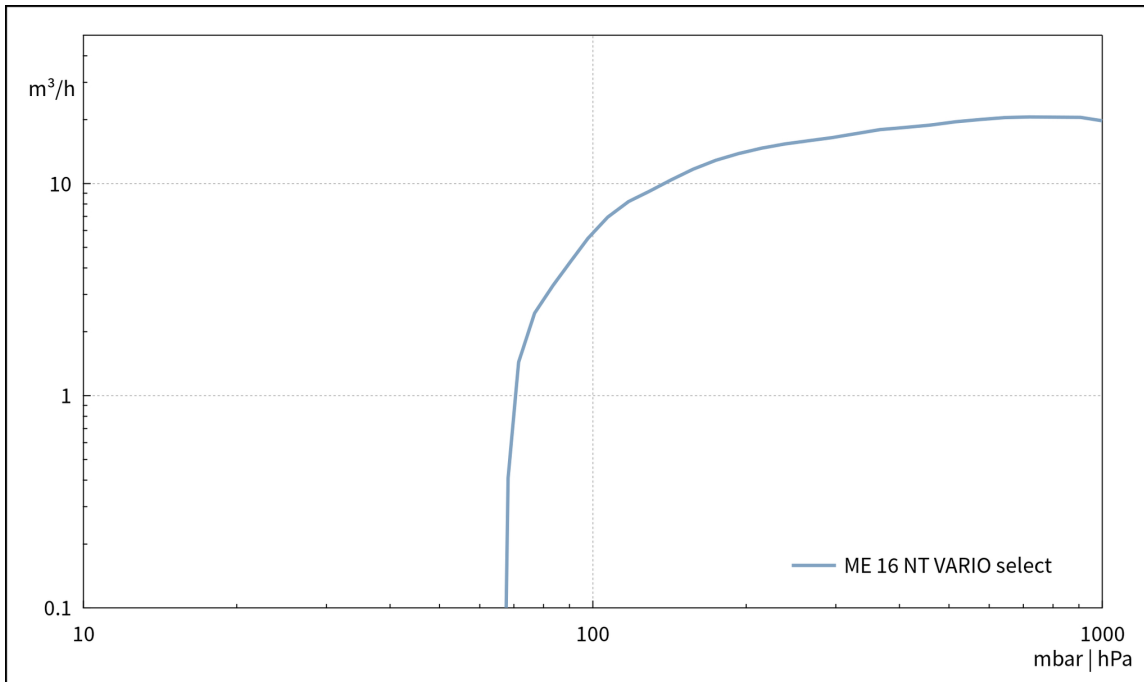
Courbe débit à 50 Hz



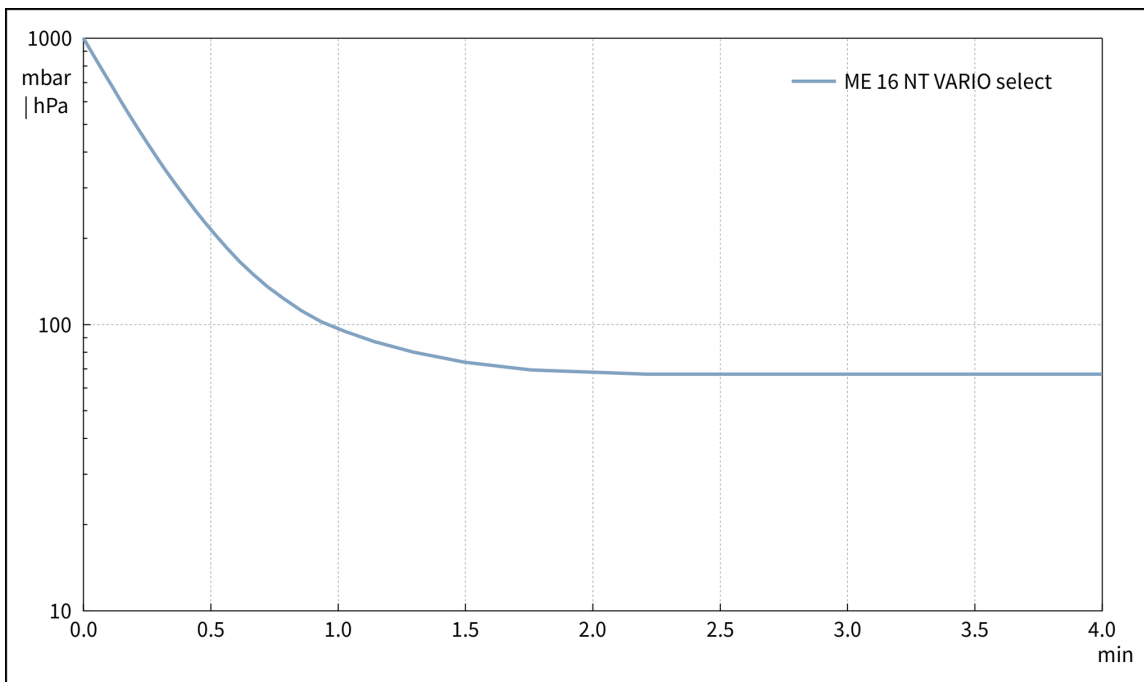
Courbe de pompage à 50 Hz (réservoir 100l)



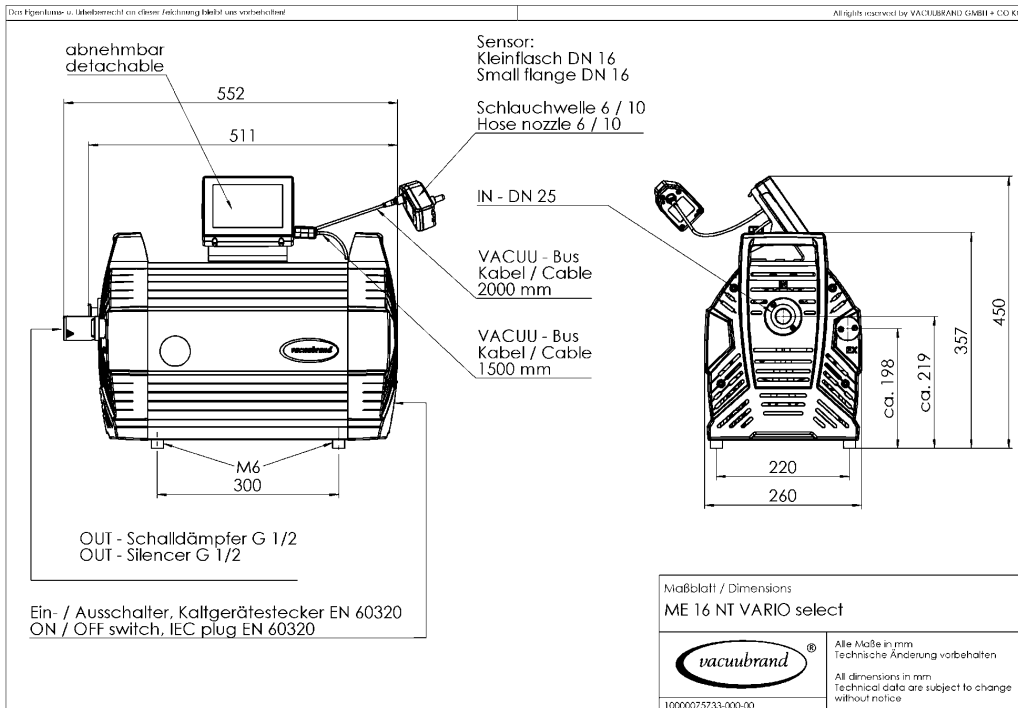
Courbe de débit à 60 Hz



Courbe de pompage à 60 Hz (réservoir 100l)



Plan de masse



VACUUBRAND GMBH + CO KG
P.O. Box 1664
97877 Wertheim
T +49 9342 808 5550
F +49 9342 808 5555

info@vacuubrand.com
www.vacuubrand.com

VACUUBRAND®

VACUUBRAND is part of the Brand group, a manufacturer of high-quality and innovative laboratory equipment and vacuum technology with a global team of approx. 1,000 employees.

With highly motivated and qualified employees, we manufacture the world's most comprehensive product family for vacuum generation, measurement and control for the rough and fine vacuum range in the laboratory.

All with one goal:

Enabling our customers to run reliable, safe and efficient processes. This is why we commit ourselves to continuous innovation, first-class performance, and outstanding quality.

Engineering excellence is central to our ability to deliver products and solutions renowned for their quality, durability, and reliability. Innovative technology, high quality materials and extensive testing deliver unmatched performance - engineered and manufactured in Germany.

Together with you, our experts will find the best solution for your application and provide you with first-class service along the way.

BRAND (Shanghai) Trading Co., Ltd.
Shanghai, China

T +86 21 6422 2318
info@brand.com.cn
china.brand.com.cn

BRAND Scientific Equipment Pvt. Ltd.
Mumbai, India

T +91 22 42957790
customersupport@brand.co.in
www.brand.co.in

BRANDTECH® Scientific, Inc.
Essex, CT. United States of America

T +1 860 767 2562
info@brandtech.com
www.brandtech.com