

VARIO® chemistry diaphragm pump MZ 2C VARIO select

[Link to the website](#)



Product description

The MZ 2C VARIO select pump is an excellent solution for labs working with most common solvents. The integrated VACUU-SELECT controller provides an easy-to-use, application based interface that covers all common lab applications. The VACUU-SELECT controller has you covered. Use manual set-point-control for simple processes, run fully automated distillations, or create your own application with simple drag-and-drop editing. For solvent evaporation, the VACUU-SELECT controller detects the boiling pressure and automatically adjusts the pump to maintain process control. On-demand motor speed control yields not only improved vacuum control, but it also results in unparalleled service intervals for wear parts like diaphragms and valves.

Performance features

- VACUU-SELECT vacuum controller with graphical user interface and predefined applications simplifies work in the laboratory
- automatic boiling point detection and adjustment of the vacuum for short process times
- extraordinary diaphragm life for minimum operational and servicing costs
- excellent chemical resistance

Ordering data

Product name	Nominal mains voltage mains frequency	Plug type	Articleno.
MZ 2C VARIO select	200-230 V 50-60 Hz	IN	20732457

Items supplied

Pump completely mounted, ready for use, with manual.

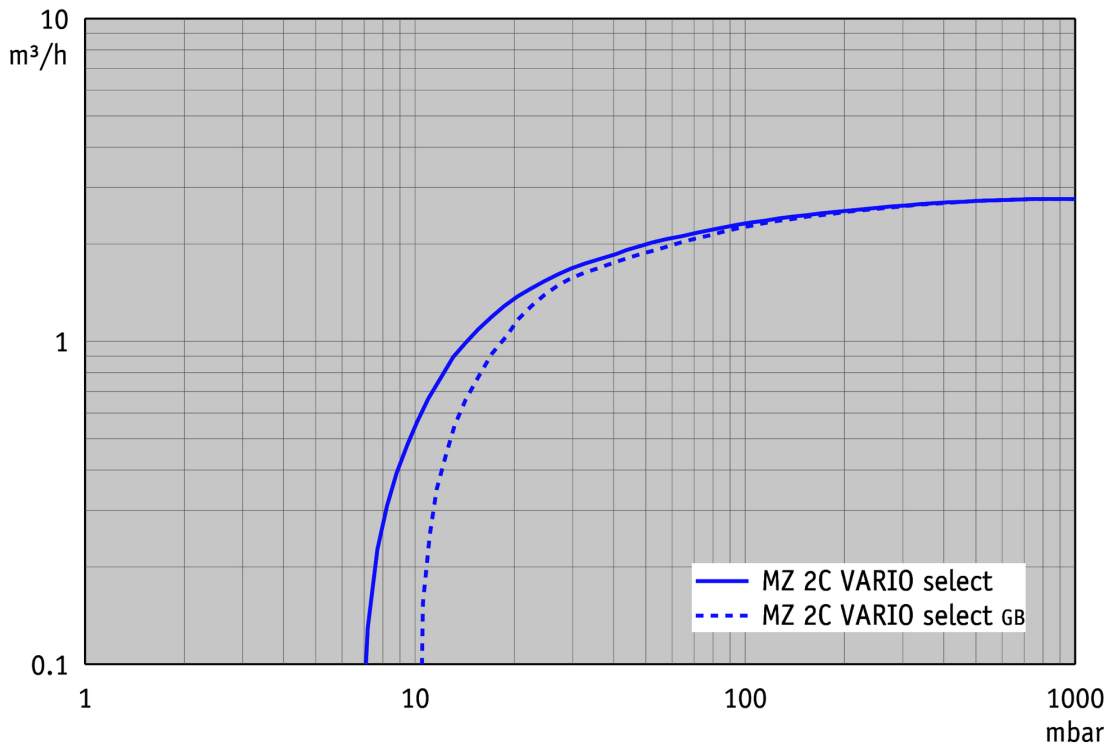
Accessories

- Function extension for VACUU-SELECT controller VACUU-SELECT User Management (20700900)
- Silencer with hose 5cm DN 8-10mm (20636588)
- Vacuum tubing transparent DN 8 mm (20686061)
- Set of diaphragms and valves MZ 2C NT / MZ 2C NT VARIO / PC 3002 (20696869)
- Set of diaphragms and valves MZ 2C NT / MZ 2C NT VARIO / PC 3002 (20696869)

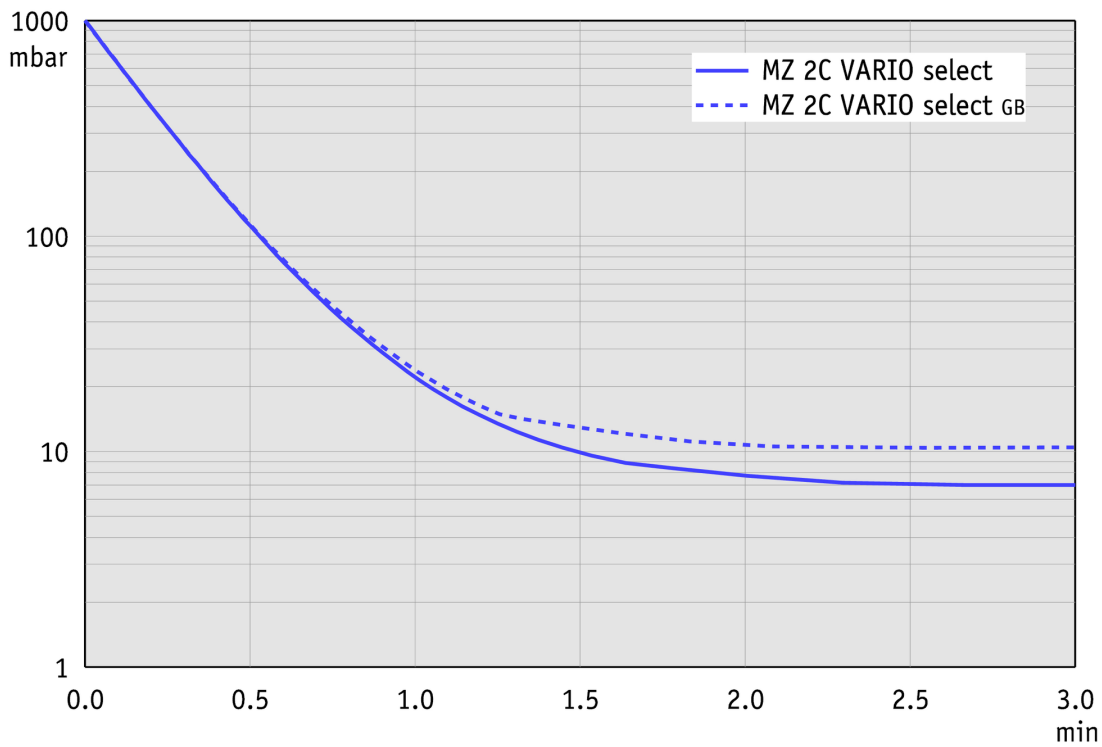
Technical data

Max. pumping speed 50 Hz (m ³ /h)	2.8 m ³ /h
Max. pumping speed 60 Hz (cfm)	1.65 cfm
Ultimate vacuum	7 mbar / 5 torr
Ultimate vacuum with gas ballast	12 mbar / 9 torr
Number of heads	2
Number of stages	2
Vacuum controller	VACUU·SELECT
Permissible ambient temperature range (operation)	10 - 40 °C
Permissible ambient temperature range (storage)	-10 - 60 °C
Max. outlet pressure (abs.)	1.1 bar
Inlet connection	Hose nozzle DN 8-10 mm
Outlet connection	Hose nozzle DN 8-10 mm
Rated motor power	0.53 kW
Motor speed range	30 - 2400 min ⁻¹
Protection class IEC 60529	IP 20
Dimensions (L x W x H)	243 mm x 243 mm x 245 mm
Weight	14.3 kg
Noise (sound pressure level) in dBA at 50 Hz or 1500 rpm/62% (VARIO)/1500 rpm (VARIO-SP)/12500 Upm (VACUU·PURE®)	43 dBA
ATEX conformity	II 3/- G Ex h IIC T3 Gc X Internal Atm. only
NRTL certification	No
Interface	Ethernet (RJ45): Modbus TCP / USB (Type A): Data transfer, software update, RS-232 (additional adapter required)

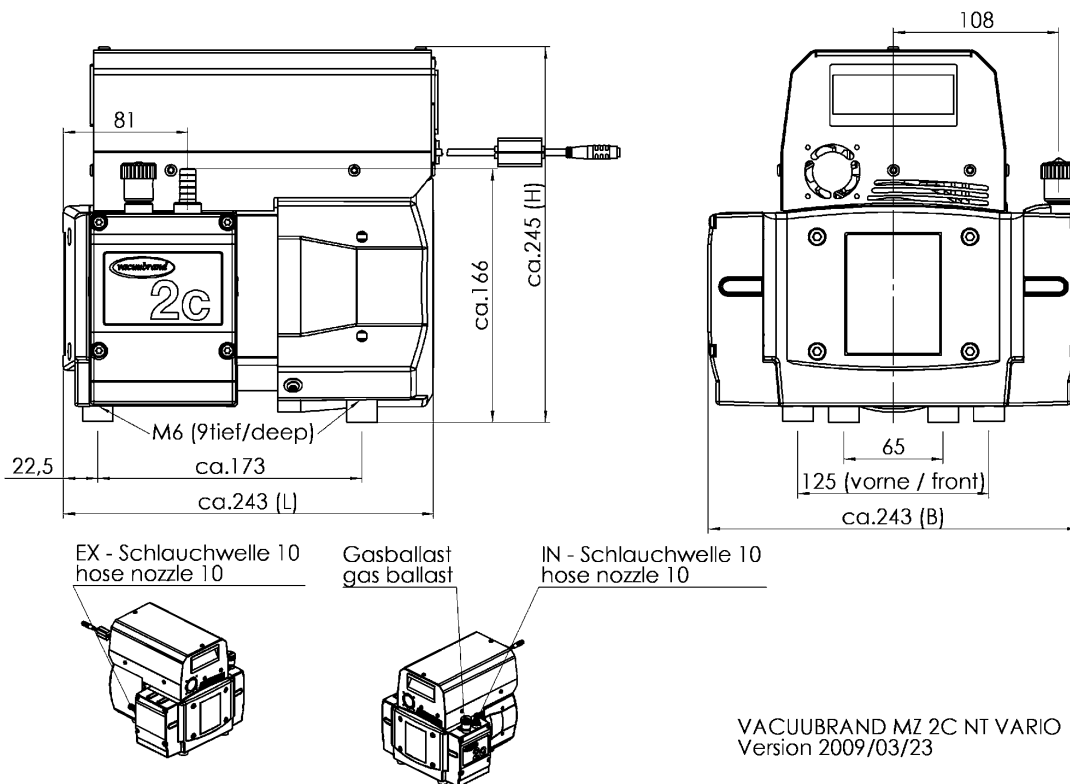
Pumping speed graph at 50 Hz



Pump down graph at 50 Hz (10 l volume)



Dimension sheet



VACUUBRAND MZ 2C NT VARIO
Version 2009/03/23

VACUUBRAND GMBH + CO KG
P.O. Box 1664
97877 Wertheim
T +49 9342 808 5550
F +49 9342 808 5555

info@vacuubrand.com
www.vacuubrand.com

VACUUBRAND®

VACUUBRAND is part of the Brand group, a manufacturer of high-quality and innovative laboratory equipment and vacuum technology with a global team of approx. 1,000 employees.

With highly motivated and qualified employees, we manufacture the world's most comprehensive product family for vacuum generation, measurement and control for the rough and fine vacuum range in the laboratory.

All with one goal:

Enabling our customers to run reliable, safe and efficient processes. This is why we commit ourselves to continuous innovation, first-class performance, and outstanding quality.

Engineering excellence is central to our ability to deliver products and solutions renowned for their quality, durability, and reliability. Innovative technology, high quality materials and extensive testing deliver unmatched performance - engineered and manufactured in Germany.

Together with you, our experts will find the best solution for your application and provide you with first-class service along the way.

BRAND (Shanghai) Trading Co., Ltd.
Shanghai, China

T +86 21 6422 2318
info@brand.com.cn
china.brand.com.cn

BRAND Scientific Equipment Pvt. Ltd.
Mumbai, India

T +91 22 42957790
customersupport@brand.co.in
www.brand.co.in

BRANDTECH® Scientific, Inc.
Essex, CT. United States of America

T +1 860 767 2562
info@brandtech.com
www.brandtech.com