

VARIO® chemistry diaphragm pump MD 12C NT VARIO select

[Link to the website](#)



Product description

The MD 12C NT VARIO select pump is an excellent solution for those who need high pumping speed and are working with high boiling point solvents. Combined with the reliability born of its chemical resistant fluoropolymer and perfluoroelastomer wetted materials, this pump delivers reliable performance for floor-standing rotary evaporators, vacuum drying ovens, vacuum distillation columns, and other similar applications. The integrated VACUU-SELECT controller provides an easy-to-use, application based interface that covers all common lab applications. The VACUU-SELECT controller has you covered. Use manual set-point-control for simple processes, run fully automated distillations, or create your own application with simple drag-and-drop editing. For solvent evaporation, the VACUU-SELECT controller continuously detects the boiling point and automatically adjusts the vacuum process to maintain process control. With VARIO control, the pump runs only as fast is necessary. This extends the maintenance intervals and makes the pumping unit whisper quiet.

Performance features

- VACUU-SELECT vacuum controller with graphical user interface and predefined applications simplifies work in the laboratory
- automatic boiling point detection and adjustment of the vacuum for short process times
- meets high vacuum requirements for large quantities of most high boiling solvents
- extraordinary diaphragm life for minimum operational and servicing costs

Ordering data

Product name	Nominal mains voltage mains frequency	Plug type	Articleno.
MD 12C NT VARIO select	200-230 V 50-60 Hz	UK	25743752

Items supplied

Pump completely mounted, ready for use, with manual.

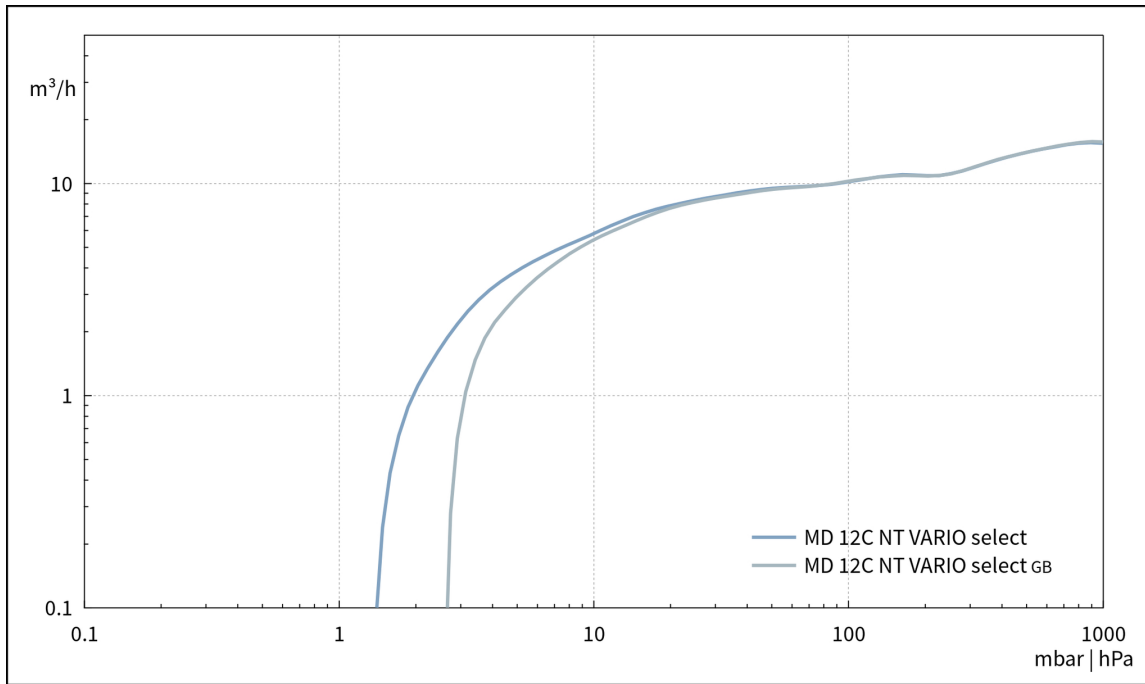
Accessories

- Function extension for VACUU-SELECT controller VACUU-SELECT User Management (20700900)
- Silencer with hose 5cm DN 8-10mm (20636588)
- Clamping ring for small flange KF DN 20/25 (20660001)
- External centring ring for small flange KF DN 20/25 (20660196)
- Vacuum tubing PVC with internal stainless steel spiral, with small flanges KF DN 25 (20686021)
- Small flange with hose nozzle KF DN 25 / DN 10 mm (20662807)
- Rubber vacuum tubing DN 10 mm (20686002)

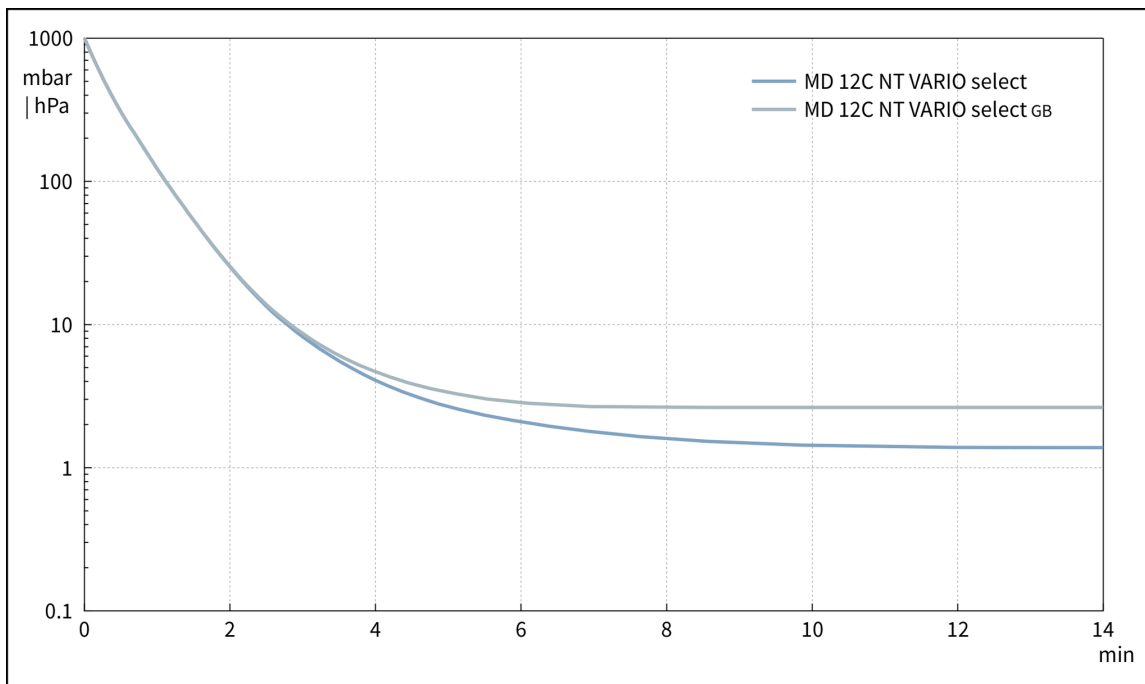
Technical data

Max. pumping speed 50 Hz (mbar)	14.3 m ³ /h
Max. pumping speed 60 Hz (cfm)	8.4 cfm
Ultimate vacuum	1.5 mbar / 1.1 torr
Ultimate vacuum with gas ballast	3 mbar / 2.2 torr
Number of heads	8
Number of stages	3
Vacuum controller	VACUU·SELECT
Permissible ambient temperature range (operation)	10 - 40 °C
Permissible ambient temperature range (storage)	-10 - 60 °C
Max. outlet pressure (abs.)	1.1 bar
Inlet connection	small flange KF DN 25
Outlet connection	Hose nozzle DN 15 mm
Rated motor power	0.53 kW
Motor speed range	30 - 2400 min ⁻¹
Protection class IEC 60529	IP 40
Dimensions (L x W x H)	533 mm x 260 mm x 450 mm
Weight	28.9 kg
Noise (sound pressure level) in dBA at 50 Hz or 1500 rpm/62% (VARIO)/1500 rpm (VARIO-SP)/12500 Upm (VACUU·PURE®)	47 dBA
ATEX conformity	II 3/- G Ex h IIC T3 Gc X Internal Atm. only
NRTL certification	No
Interface	Ethernet (RJ45): Modbus TCP / USB (Type A): Data transfer, software update, RS-232 (additional adapter required)

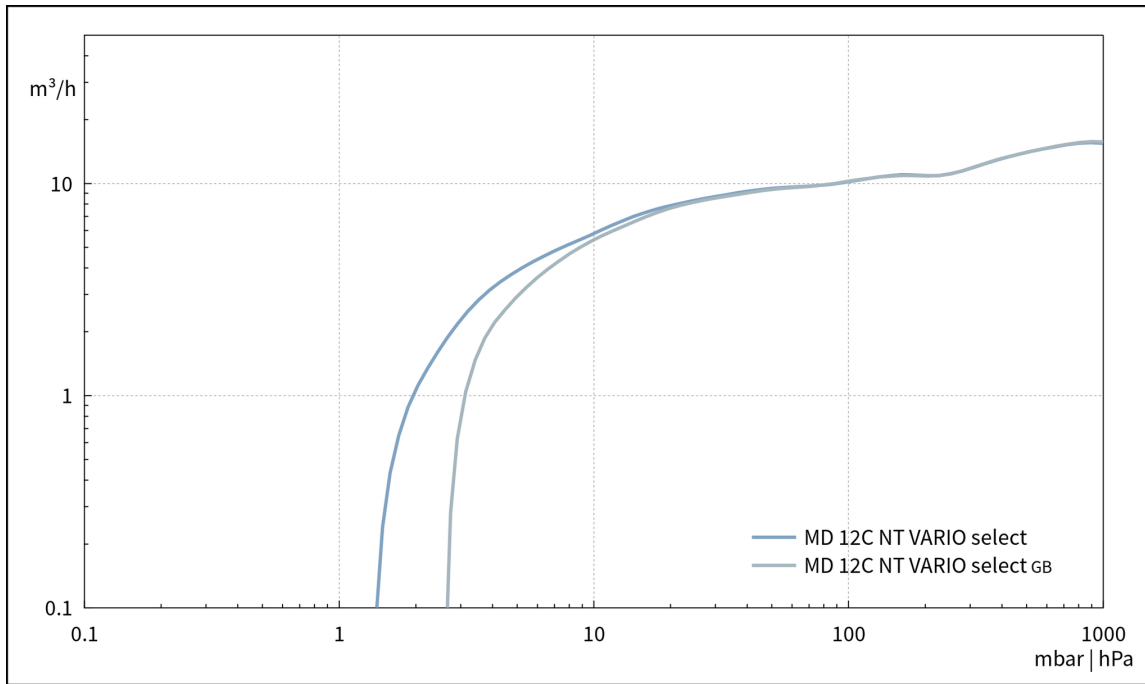
Pumping speed graph at 50 Hz



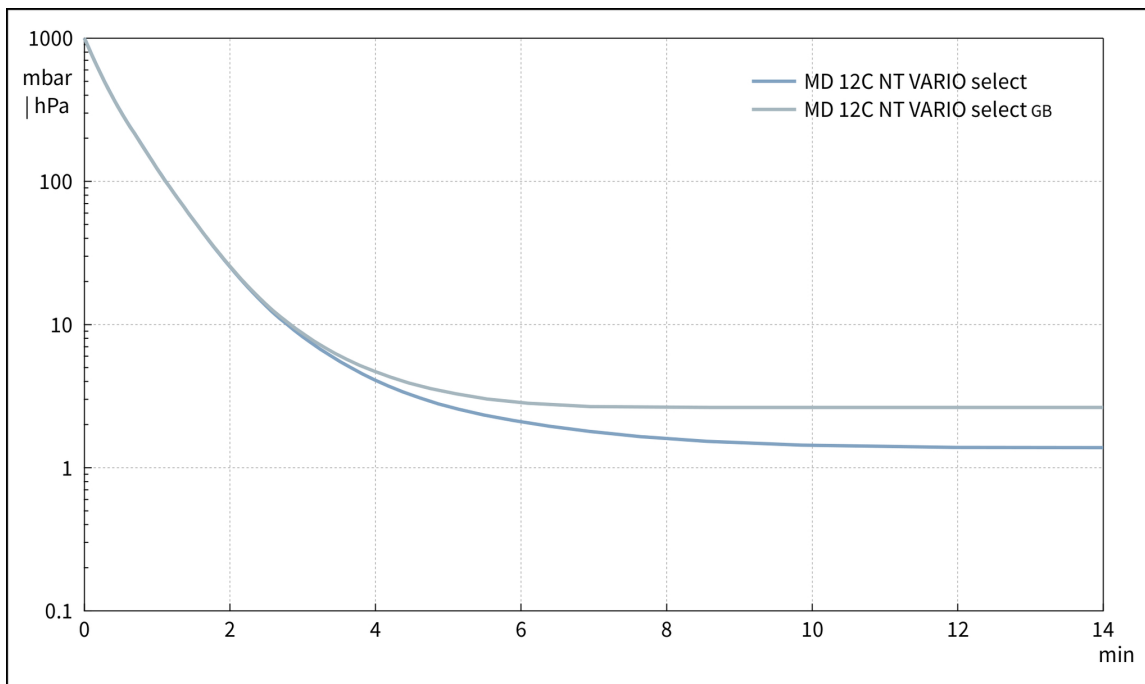
Pump down graph at 50 Hz (100 l volume)



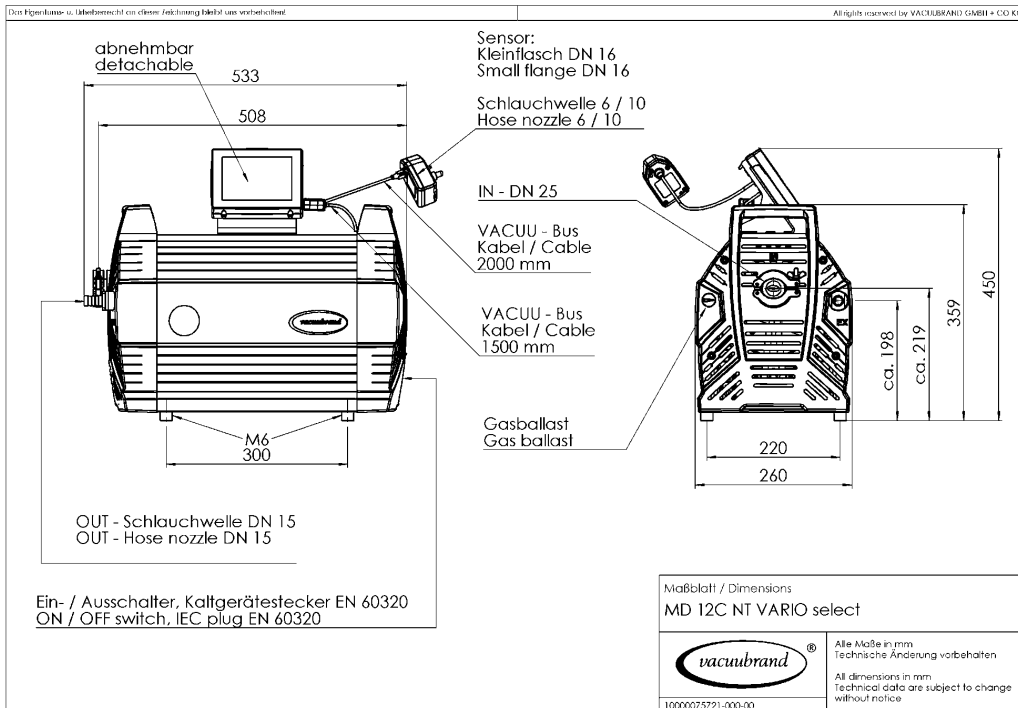
Pumping speed graph at 60 Hz



Pump down graph at 60 Hz (100 l volume)



Dimension sheet



VACUUBRAND GMBH + CO KG
P.O. Box 1664
97877 Wertheim
T +49 9342 808 5550
F +49 9342 808 5555

info@vacuubrand.com
www.vacuubrand.com

VACUUBRAND®

VACUUBRAND is part of the Brand group, a manufacturer of high-quality and innovative laboratory equipment and vacuum technology with a global team of approx. 1,000 employees.

With highly motivated and qualified employees, we manufacture the world's most comprehensive product family for vacuum generation, measurement and control for the rough and fine vacuum range in the laboratory.

All with one goal:

Enabling our customers to run reliable, safe and efficient processes. This is why we commit ourselves to continuous innovation, first-class performance, and outstanding quality.

Engineering excellence is central to our ability to deliver products and solutions renowned for their quality, durability, and reliability. Innovative technology, high quality materials and extensive testing deliver unmatched performance - engineered and manufactured in Germany.

Together with you, our experts will find the best solution for your application and provide you with first-class service along the way.

BRAND (Shanghai) Trading Co., Ltd.
Shanghai, China

T +86 21 6422 2318
info@brand.com.cn
china.brand.com.cn

BRAND Scientific Equipment Pvt. Ltd.
Mumbai, India

T +91 22 42957790
customersupport@brand.co.in
www.brand.co.in

BRANDTECH® Scientific, Inc.
Essex, CT. United States of America

T +1 860 767 2562
info@brandtech.com
www.brandtech.com