

# VARIO® chemistry pumping unit PC 3016 NT VARIO select

[Link to the website](#)



## Product description

These powerful pumps feature exceptionally high pumping speed. The PC 3016 NT VARIO select pumping unit is a proven solution for evaporations with large amounts of low boiling point solvents. The integrated VACUU-SELECT controller provides an easy-to-use, application based interface that covers all common lab applications. The VACUU-SELECT controller has you covered. Use manual set-point-control for simple processes, run fully automated distillations, or create your own application with simple drag-and-drop editing. For solvent evaporation, the VACUU-SELECT controller continuously detects the boiling point and automatically adjusts the vacuum process as necessary. With VARIO control, the pump runs only as fast as necessary. This extends the maintenance intervals and makes the pumping unit quiet. The inlet separator, made of glass with protective coating, prevents particles and liquid droplets from entering the pump. The exhaust vapor condenser provides nearly 100% recovery of solvents for economical recycling and environmental protection.

## Performance features

- VACUU-SELECT vacuum controller with graphical user interface and predefined applications simplifies work in the laboratory
- automatic boiling point detection and adjustment of the vacuum for short process times
- suitable for evaporation of large quantities of low-boiling solvents
- extraordinary diaphragm life for minimum operational and servicing costs
- excellent environmental compatibility through low energy consumption and efficient solvent recovery

## Ordering data

Product name	Nominal mains voltage   mains frequency	Plug type	Articleno.
PC 3016 NT VARIO select	100-120 V   50-60 Hz	US	25741853

## Items supplied

Pump completely mounted, ready for use, with manual.

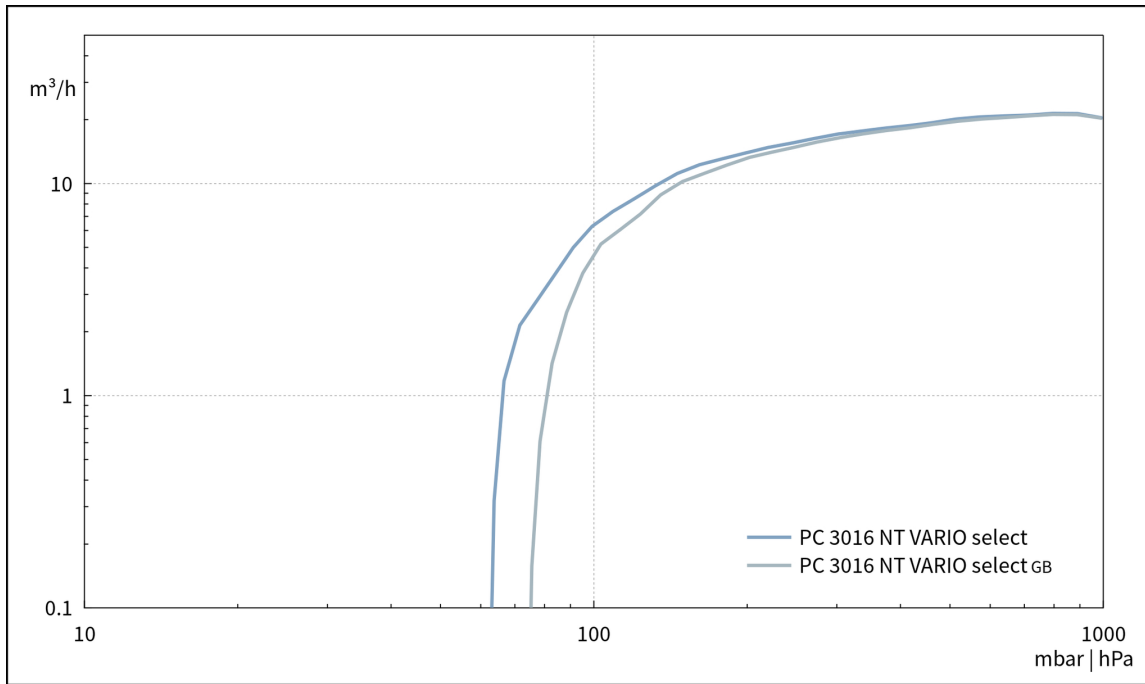
## Accessories

- Function extension for VACUU-SELECT controller VACUU-SELECT User Management (20700900)
- Clamping ring for small flange KF DN 20/25 (20660001)
- External centring ring for small flange KF DN 20/25 (20660196)
- Vacuum tubing PVC with internal stainless steel spiral, with small flanges KF DN 25 (20686021)
- Fluid level sensor for round bottom flask 500 ml 500 ml (20699908)
- Cooling water valve VKW-B (20674220)
- Air admittance valve VB M-B (20674217)

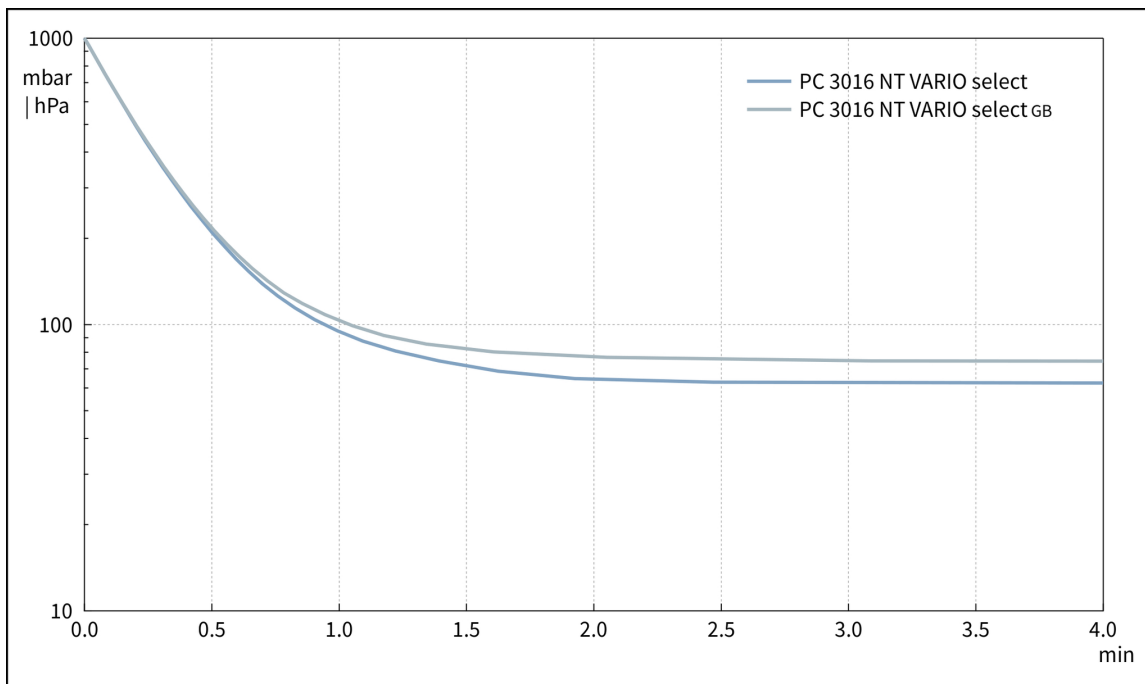
## Technical data

Max. pumping speed 50 Hz (mbar)	19.3 m <sup>3</sup> /h
Max. pumping speed 60 Hz (cfm)	11.4 cfm
Ultimate vacuum	70 mbar / 53 torr
Ultimate vacuum with gas ballast	100 mbar / 75 torr
Number of heads	8
Number of stages	1
Vacuum controller	VACUU·SELECT
Permissible ambient temperature range (operation)	10 - 40 °C
Permissible ambient temperature range (storage)	-10 - 60 °C
Max. outlet pressure (abs.)	1.1 bar
Inlet connection	Small flange KF DN 25 / hose nozzle DN 15 mm
Outlet connection	Hose nozzle DN 8-10 mm
Coolant connection	2 x hose nozzle DN 6-8 mm
Rated motor power	0.53 kW
Motor speed range	30 - 2400 min <sup>-1</sup>
Protection class IEC 60529	IP 40
Dimensions (L x W x H)	616 mm x 387 mm x 450 mm
Weight	29.7 kg
Noise (sound pressure level) in dBA at 50 Hz or 1500 rpm/62% (VARIO)/1500 rpm (VARIO-SP)/12500 Upm (VACUU·PURE®)	47 dBA
NRTL certification	No
Interface	Ethernet (RJ45): Modbus TCP / USB (Type A): Data transfer, software update, RS-232 (additional adapter required)

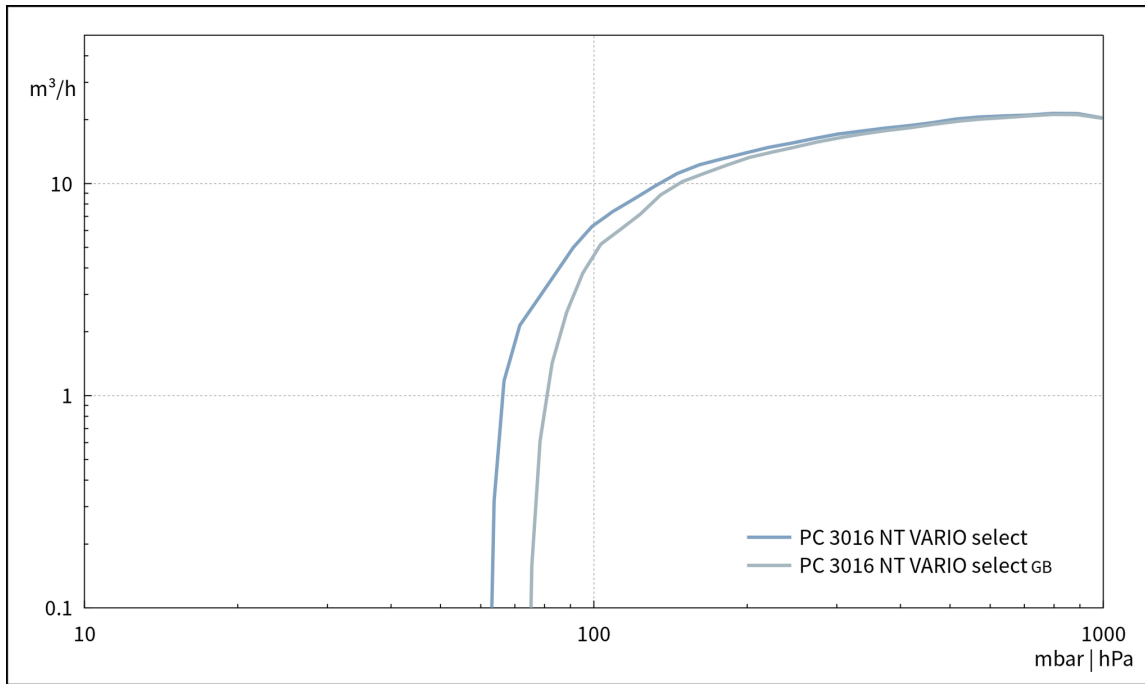
Pumping speed graph at 50 Hz



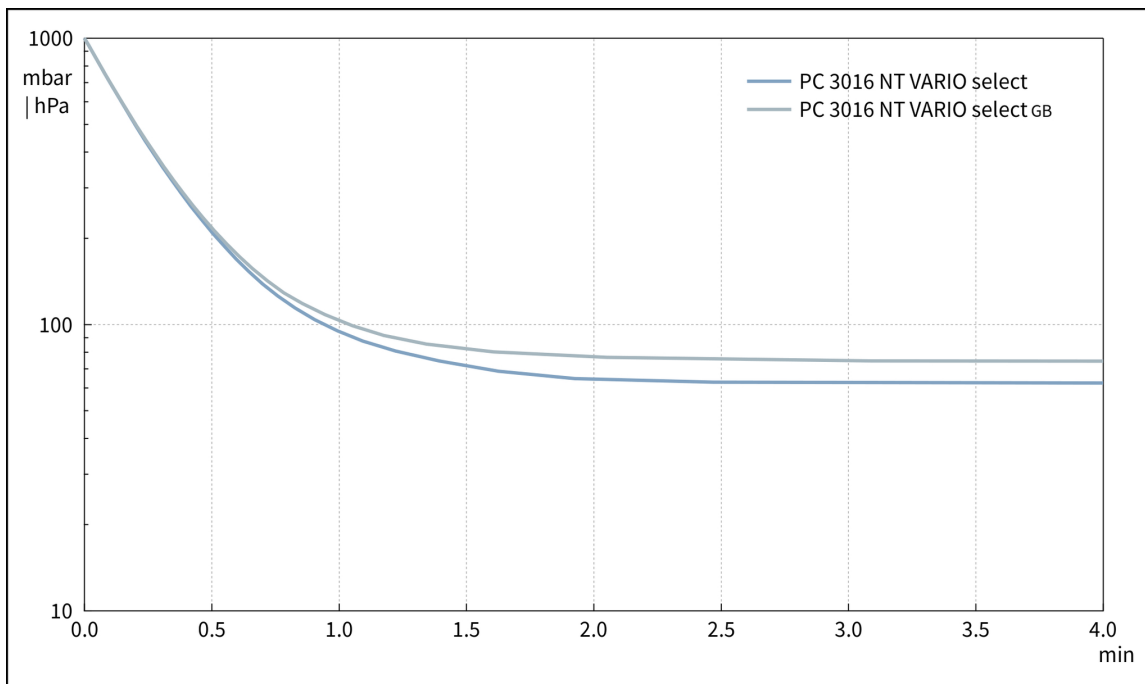
Pump down graph at 50 Hz (100 l volume)



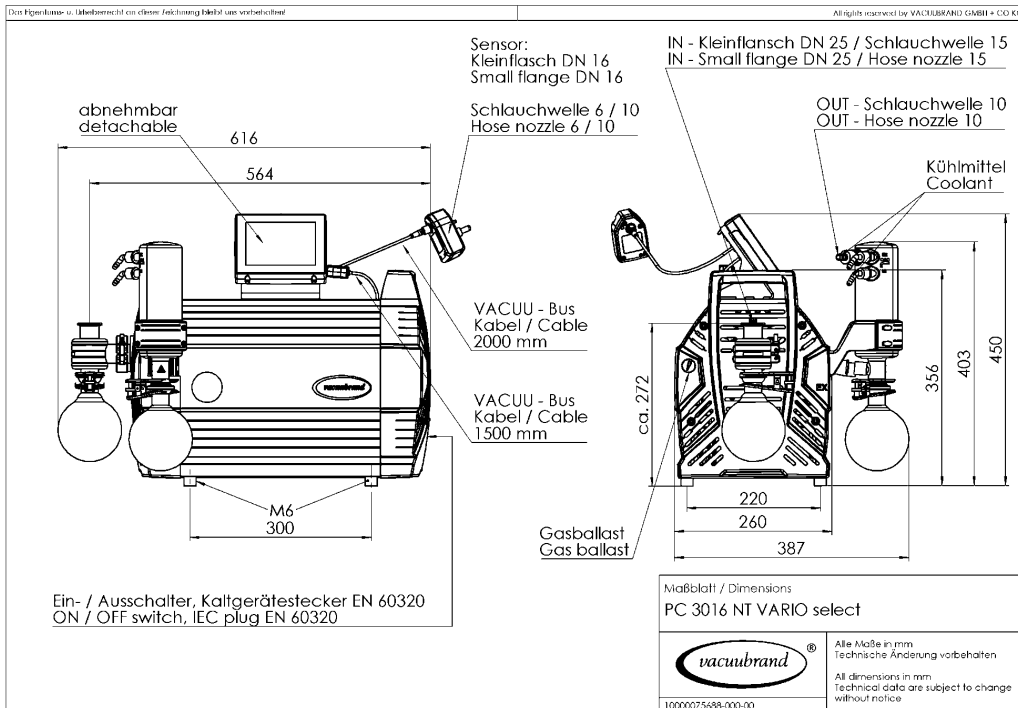
Pumping speed graph at 60 Hz



Pump down graph at 60 Hz (100 l volume)



## Dimension sheet



VACUUBRAND GMBH + CO KG  
P.O. Box 1664  
97877 Wertheim  
T +49 9342 808 5550  
F +49 9342 808 5555

info@vacuubrand.com  
www.vacuubrand.com

**VACUUBRAND®**

VACUUBRAND is part of the Brand group, a manufacturer of high-quality and innovative laboratory equipment and vacuum technology with a global team of approx. 1,000 employees.

With highly motivated and qualified employees, we manufacture the world's most comprehensive product family for vacuum generation, measurement and control for the rough and fine vacuum range in the laboratory.

**All with one goal:**

Enabling our customers to run reliable, safe and efficient processes. This is why we commit ourselves to continuous innovation, first-class performance, and outstanding quality.

Engineering excellence is central to our ability to deliver products and solutions renowned for their quality, durability, and reliability. Innovative technology, high quality materials and extensive testing deliver unmatched performance - engineered and manufactured in Germany.

Together with you, our experts will find the best solution for your application and provide you with first-class service along the way.

BRAND (Shanghai) Trading Co., Ltd.  
Shanghai, China

T +86 21 6422 2318  
info@brand.com.cn  
china.brand.com.cn

BRAND Scientific Equipment Pvt. Ltd.  
Mumbai, India

T +91 22 42957790  
customersupport@brand.co.in  
www.brand.co.in

BRANDTECH® Scientific, Inc.  
Essex, CT. United States of America

T +1 860 767 2562  
info@brandtech.com  
www.brandtech.com