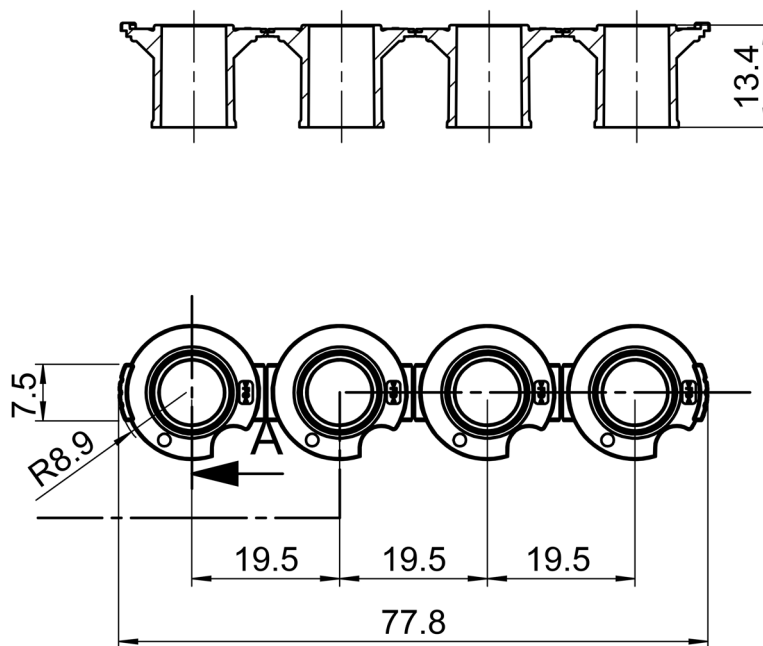


Insert Strip, height 13 mm for BRANDplates® 24-well and 24/6-well plate 782810

PRODUCT
INFORMATION



Dimensions in mm

| | |
|-----------------|--------------------------------|
| Volume | 50 - 400 µl |
| Material | Polystyrene, medical grade |
| Quality | BIO-CERT® CELL CULTURE QUALITY |



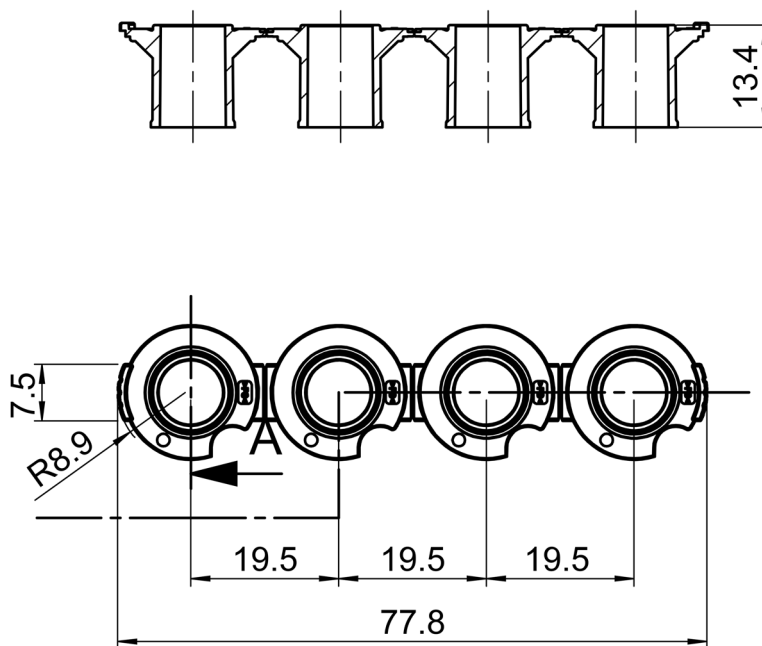
Membrane properties

| | |
|--------------------------|----------------------------------------------------|
| Material | Polyethylenterephthalate |
| Thickness | 12 µm |
| Pore size | 0.4 µm |
| Pore density | 2 x 10 ⁶ /cm ² , transparent |
| Culture area | ca. 0.6 cm ² |
| Surface treatment | cellGrade™ plus |

Subject to technical modification without notice. Errors excepted.

Insert Strip, height 13 mm for BRANDplates® 24-well and 24/6-well plate 782870

PRODUCT
INFORMATION



Dimensions in mm

| | |
|-----------------|--------------------------------|
| Volume | 50 - 400 µl |
| Material | Polystyrene, medical grade |
| Quality | BIO-CERT® CELL CULTURE QUALITY |



Membrane properties

| | |
|--------------------------|----------------------------------------------------|
| Material | Polyethylenterephthalate |
| Thickness | 16 µm |
| Pore size | 8.0 µm |
| Pore density | 2 x 10 ⁵ /cm ² , transparent |
| Culture area | ca. 0.6 cm ² |
| Surface treatment | cellGrade™ plus |

Subject to technical modification without notice. Errors excepted.