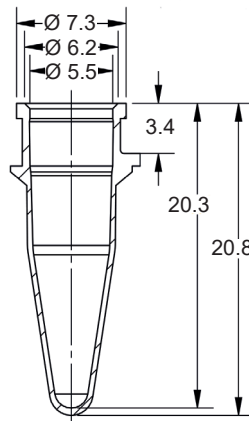
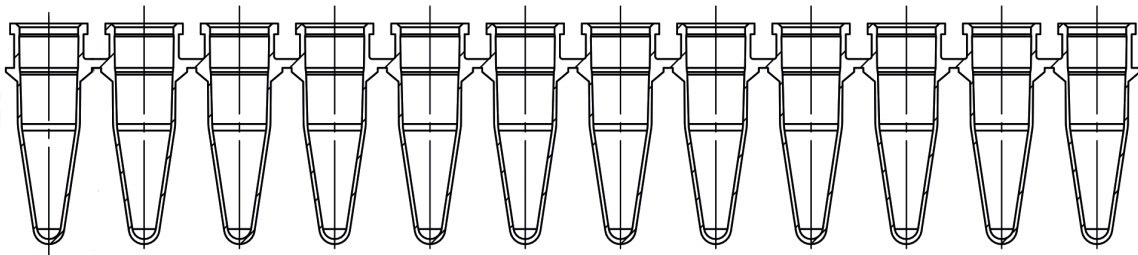
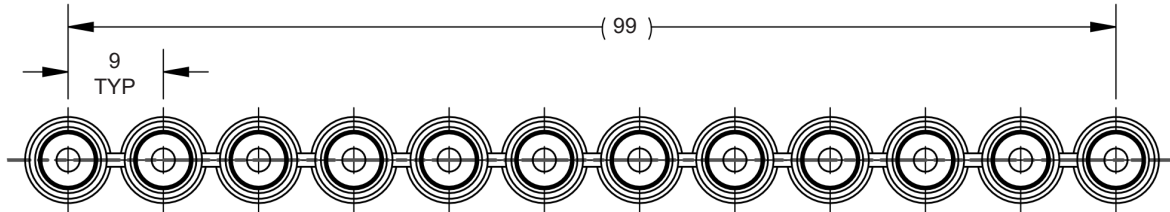


Strip of 8 PCR Tubes, 0.2 ml 781280



Dimensions in mm

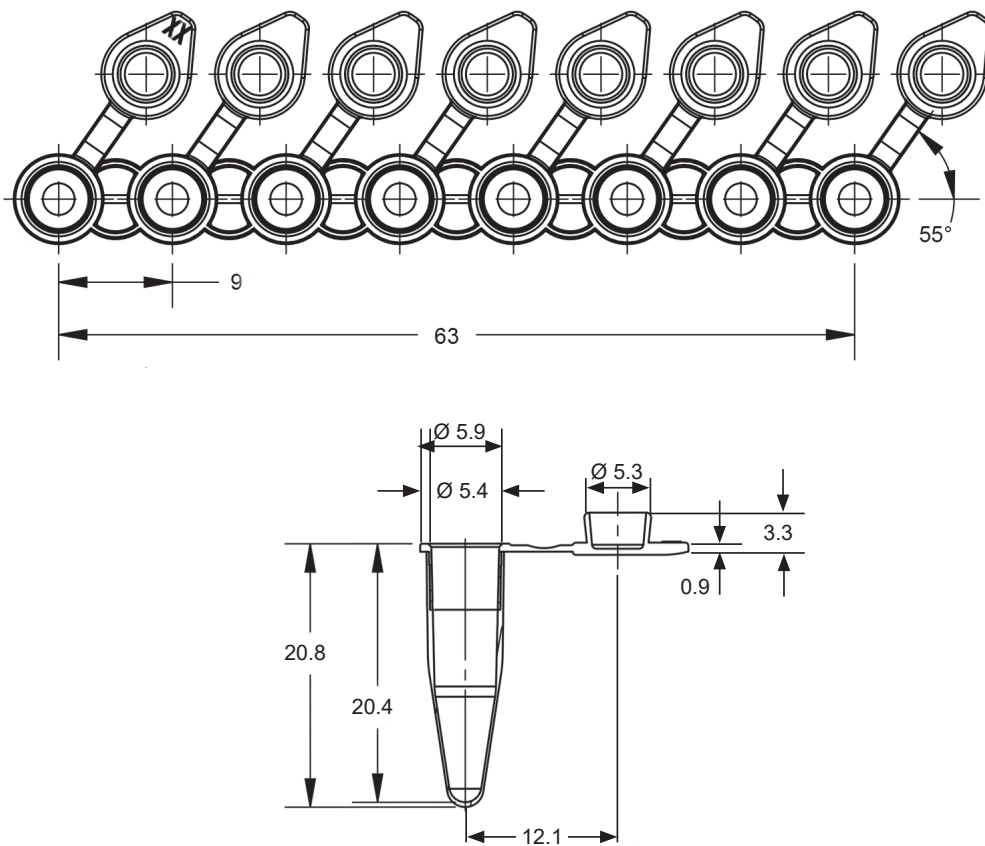
Type	standard
Volume	0.2 ml / tube
Material	PP
Color	transparent
Quality	Cleanroom class 8 according to ISO 14 644-1, Free of DNA*, RNase and DNase, Free of pyrogens, according to LAL test **, Free of PCR inhibitors

* human and bacterial DNA, ** according to Limulus Amebocyte Lysate (LAL) test, detection limit 0.01 EU/ml



Subject to technical modification without notice. Errors excepted.

Strip of 8 PCR Tubes, 0.2 ml, with cap 781315



Dimensions in mm

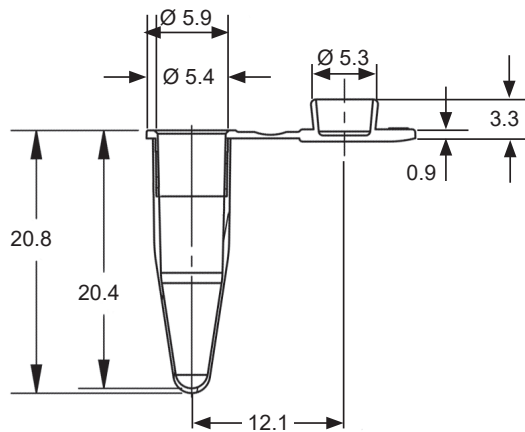
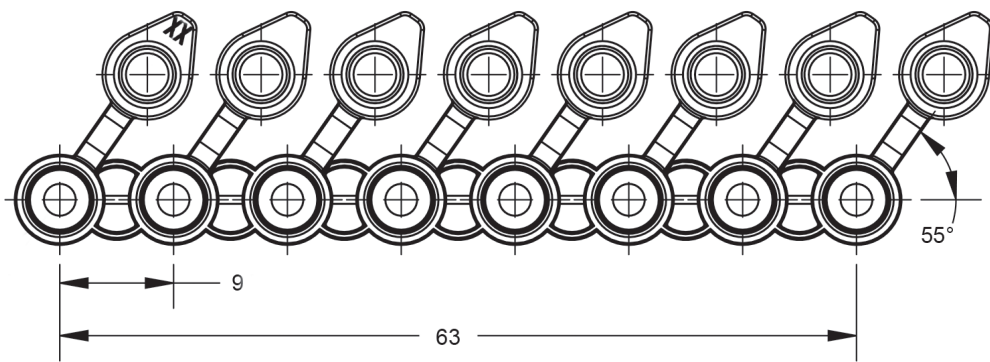
Type	standard
Volume	0.2 ml / tube
Material	PP
Color	transparent
Cap	attached, flat individual cap
Quality	Cleanroom class 8 according to ISO 14 644-1, Free of DNA*, RNase and DNase, Free of pyrogens, according to LAL test **, Free of PCR inhibitors



* human and bacterial DNA, ** according to Limulus Amebocyte Lysate (LAL) test, detection limit 0.01 EU/ml

Subject to technical modification without notice. Errors excepted.

Strip of 8 PCR Tubes, 0.2 ml, with cap 781316



Dimensions in mm

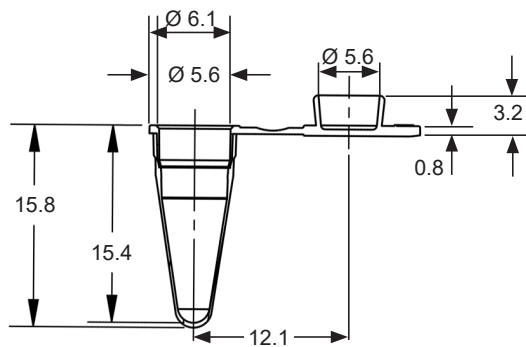
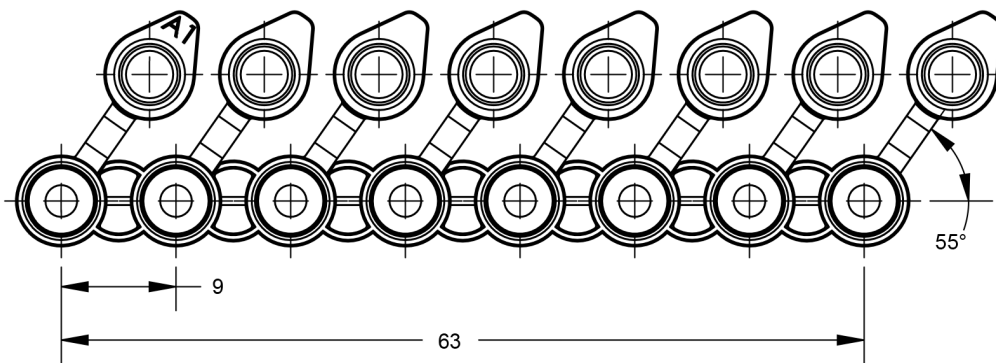
Type	standard
Volume	0.2 ml / tube
Material	PP
Color	white
Cap	attached, flat individual cap
Quality	Cleanroom class 8 according to ISO 14 644-1, Free of DNA*, RNase and DNase, Free of pyrogens, according to LAL test **, Free of PCR inhibitors



* human and bacterial DNA, ** according to Limulus Amebocyte Lysate (LAL) test, detection limit 0.01 EU/ml

Subject to technical modification without notice. Errors excepted.

Strip of 8 PCR Tubes, 0.15 ml, with cap 781317



Dimensions in mm

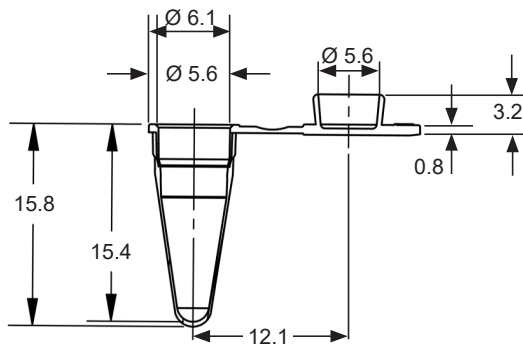
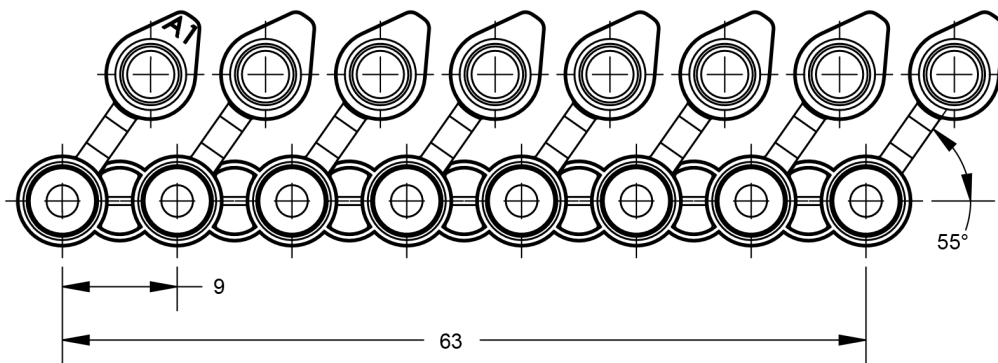
Type	low profile
Volume	0.15 ml / tube
Material	PP
Color	white
Cap	attached, flat individual cap
Quality	Cleanroom class 8 according to ISO 14 644-1, Free of DNA*, RNase and DNase, Free of pyrogens, according to LAL test **, Free of PCR inhibitors

* human and bacterial DNA, ** according to Limulus Amebocyte Lysate (LAL) test, detection limit 0.01 EU/ml



Subject to technical modification without notice. Errors excepted.

Strip of 8 PCR Tubes, 0.15 ml, with cap 781318



Dimensions in mm

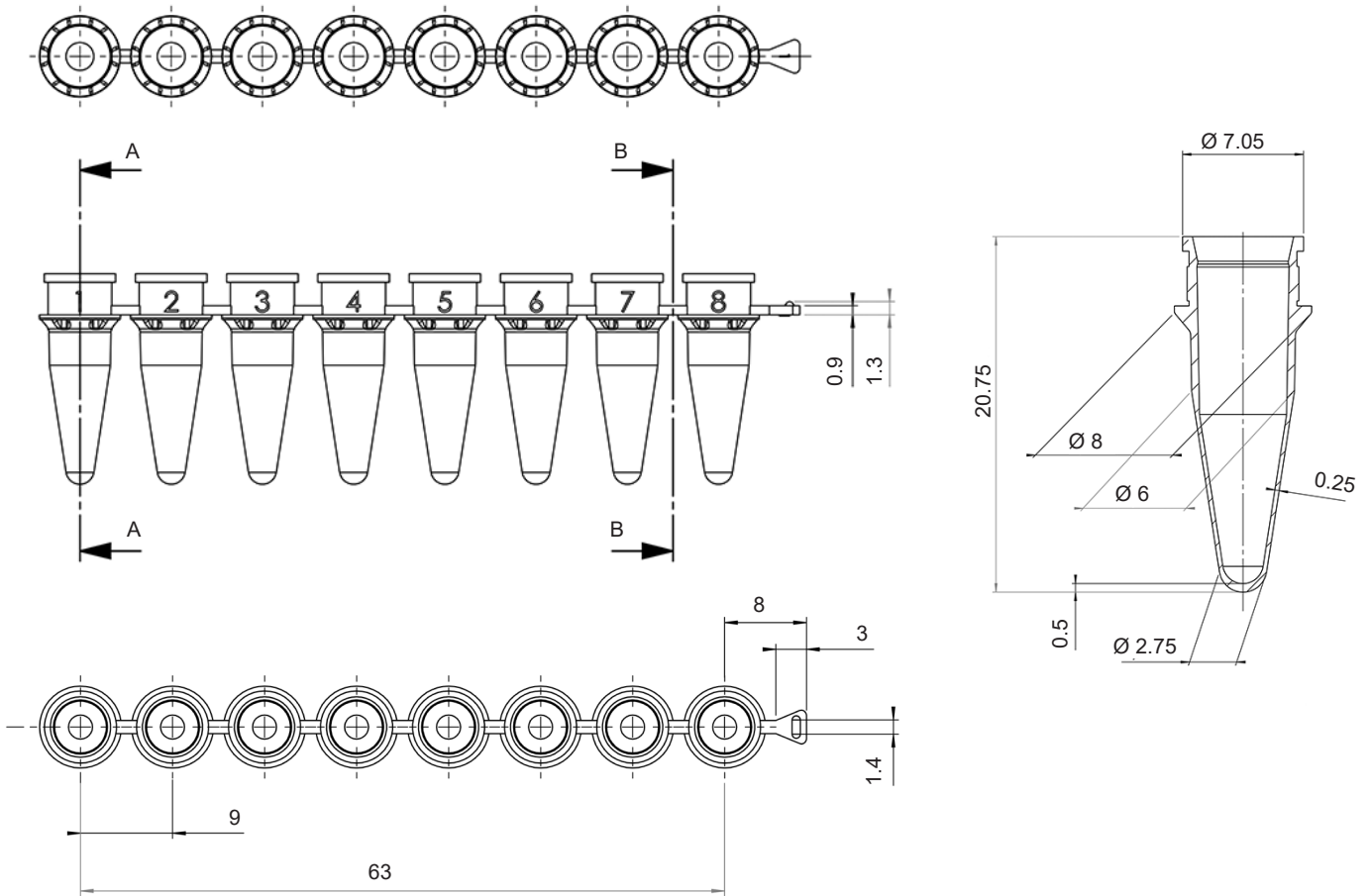
Type	low profile
Volume	0.15 ml / tube
Material	PP
Color	transparent
Cap	attached, flat individual cap
Quality	Cleanroom class 8 according to ISO 14 644-1, Free of DNA*, RNase and DNase, Free of pyrogens, according to LAL test **, Free of PCR inhibitors

* human and bacterial DNA, ** according to Limulus Amebocyte Lysate (LAL) test, detection limit 0.01 EU/ml



Subject to technical modification without notice. Errors excepted.

Strip of 8 PCR Tubes, 0.2 ml 781320



Dimensions in mm

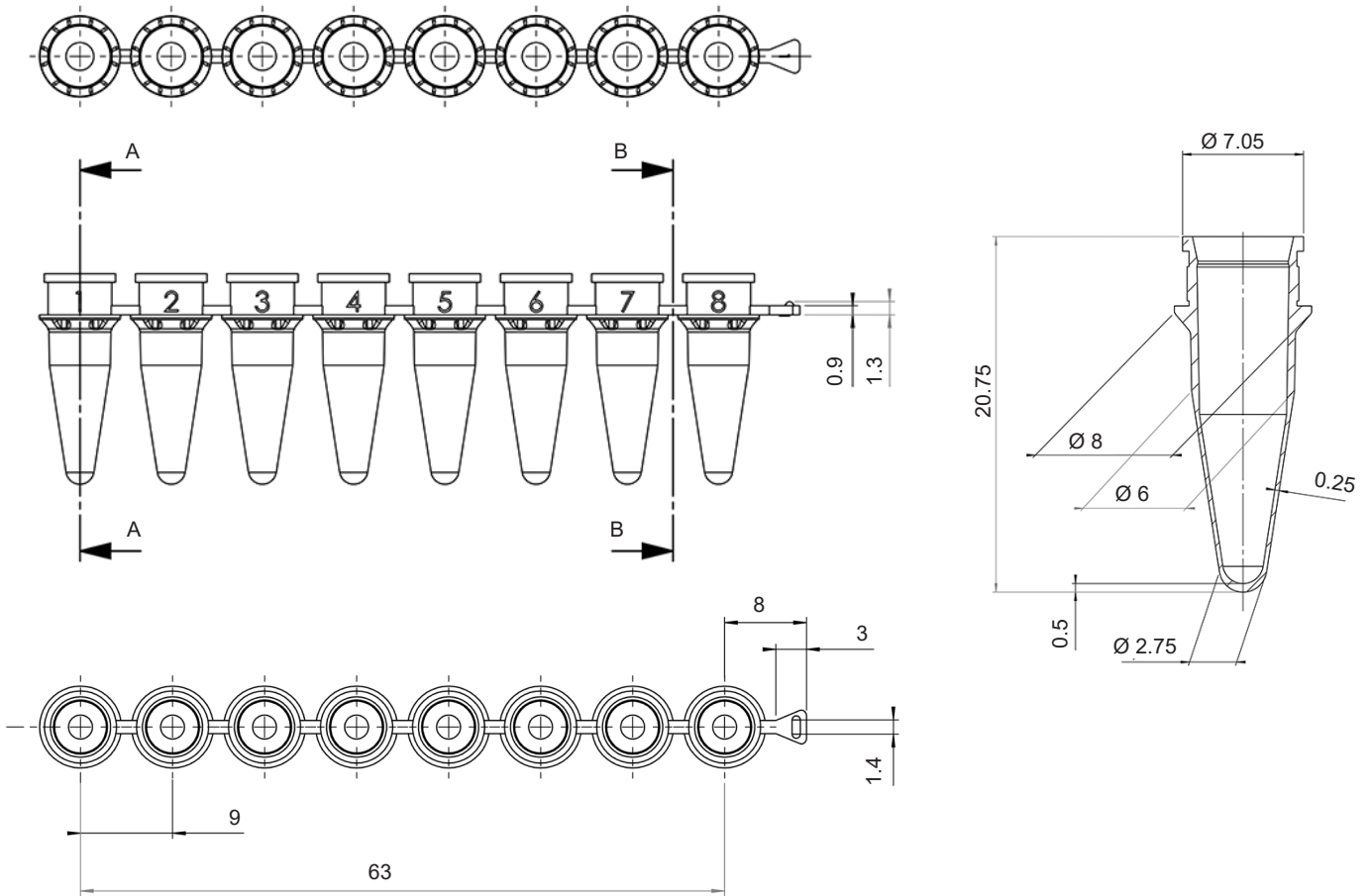
Type	standard
Volume	0.2 ml / tube
Material	PP
Color	transparent
Cap	detached cap strips
Quality	Cleanroom class 8 according to ISO 14 644-1, Free of DNA*, RNase and DNase, Free of pyrogens, according to LAL test **, Free of PCR inhibitors

* human and bacterial DNA, ** according to Limulus Amebocyte Lysate (LAL) test, detection limit 0.01 EU/ml



Subject to technical modification without notice. Errors excepted.

Strip of 8 PCR Tubes, 0.2 ml 781321



Dimensions in mm

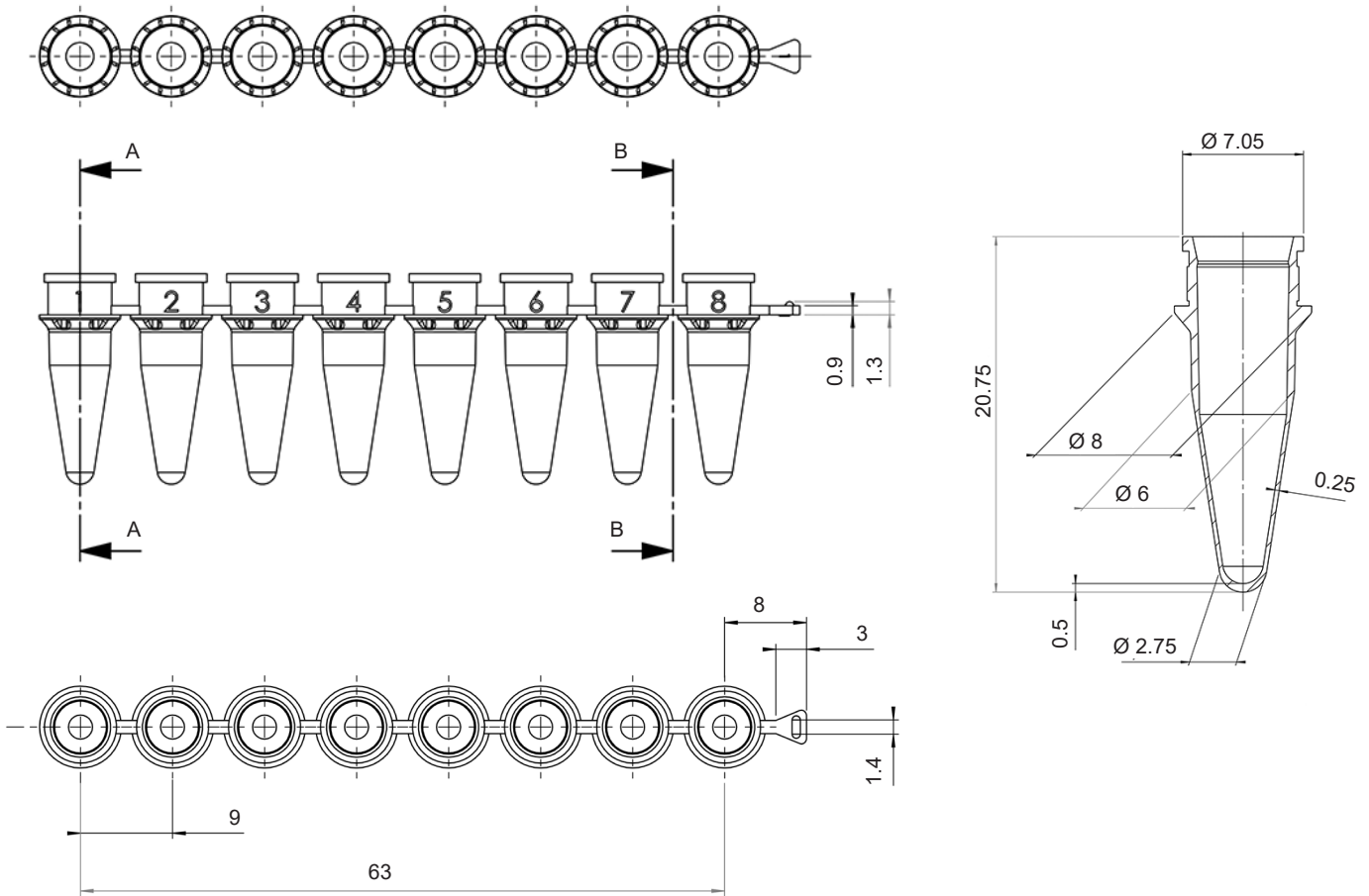
Type	standard
Volume	0.2 ml / tube
Material	PP
Color	pink
Cap	detached cap strips
Quality	Cleanroom class 8 according to ISO 14 644-1, Free of DNA*, RNase and DNase, Free of pyrogens, according to LAL test **, Free of PCR inhibitors

* human and bacterial DNA, ** according to Limulus Amebocyte Lysate (LAL) test, detection limit 0.01 EU/ml



Subject to technical modification without notice. Errors excepted.

Strip of 8 PCR Tubes, 0.2 ml 781322



Dimensions in mm

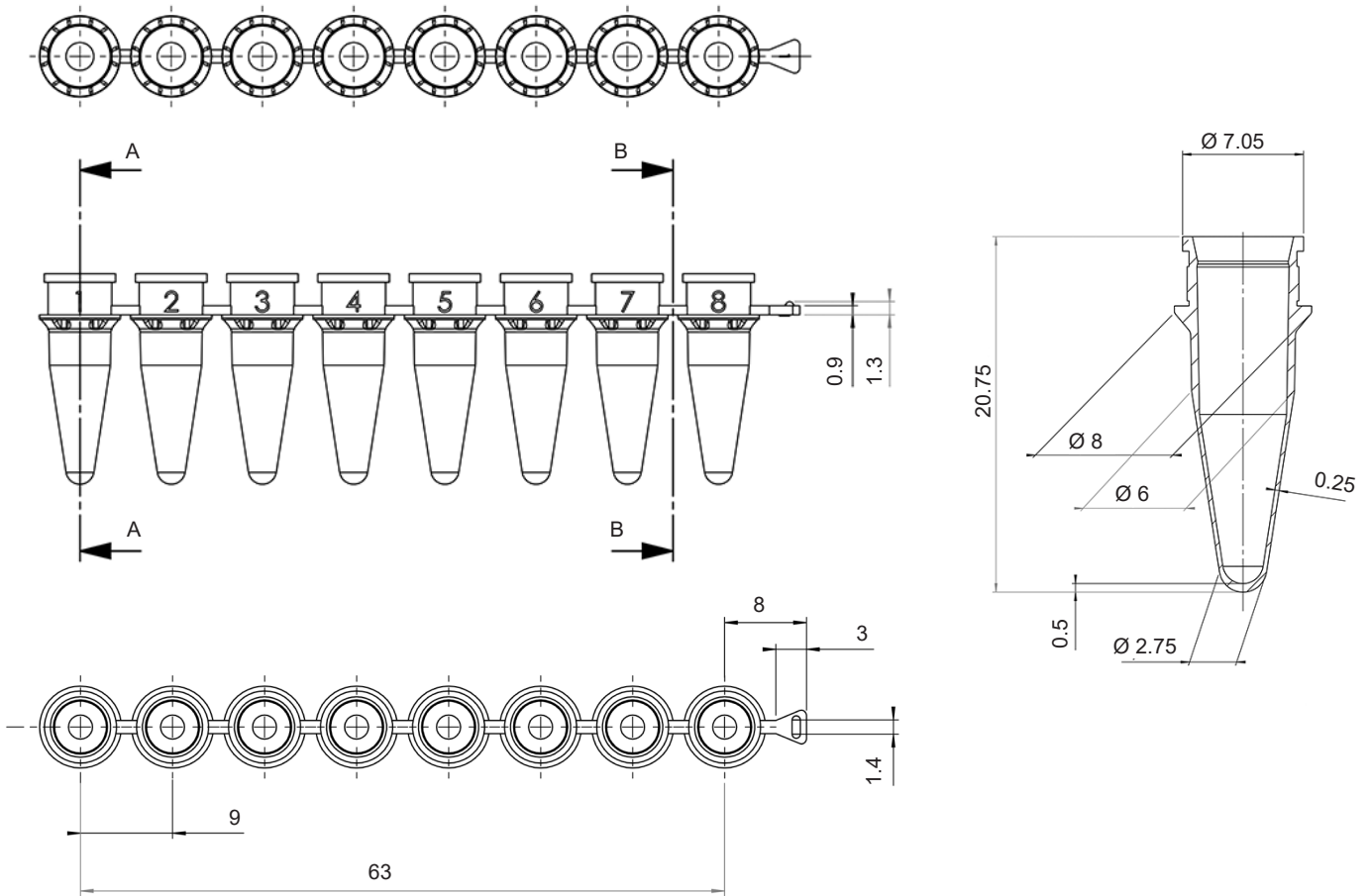
Type	standard
Volume	0.2 ml / tube
Material	PP
Color	yellow
Cap	detached cap strips
Quality	Cleanroom class 8 according to ISO 14 644-1, Free of DNA*, RNase and DNase, Free of pyrogens, according to LAL test **, Free of PCR inhibitors

* human and bacterial DNA, ** according to Limulus Amebocyte Lysate (LAL) test, detection limit 0.01 EU/ml



Subject to technical modification without notice. Errors excepted.

Strip of 8 PCR Tubes, 0.2 ml 781323



Dimensions in mm

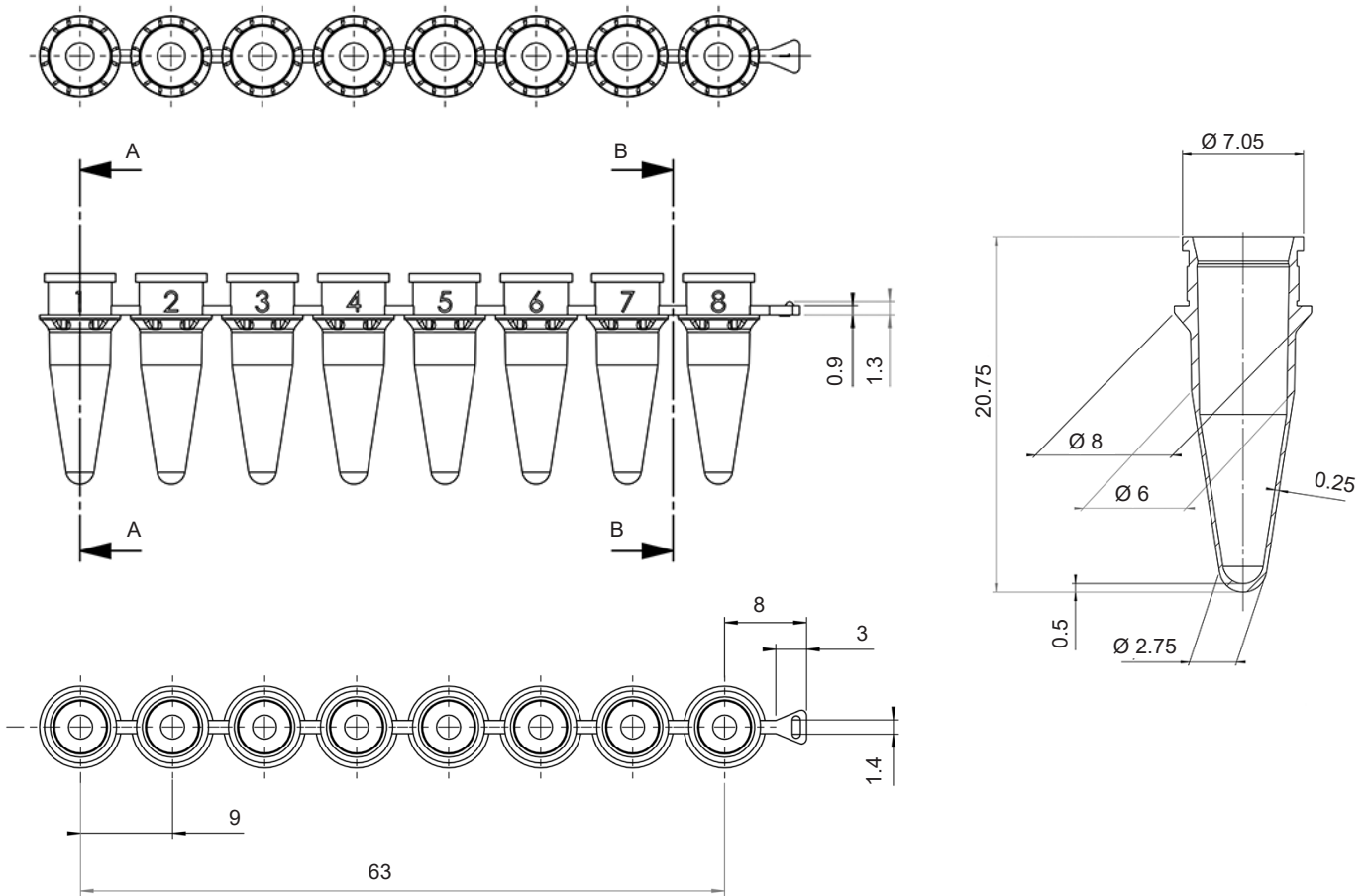
Type	standard
Volume	0.2 ml / tube
Material	PP
Color	green
Cap	detached cap strips
Quality	Cleanroom class 8 according to ISO 14 644-1, Free of DNA*, RNase and DNase, Free of pyrogens, according to LAL test **, Free of PCR inhibitors

* human and bacterial DNA, ** according to Limulus Amebocyte Lysate (LAL) test, detection limit 0.01 EU/ml



Subject to technical modification without notice. Errors excepted.

Strip of 8 PCR Tubes, 0.2 ml 781324



Dimensions in mm

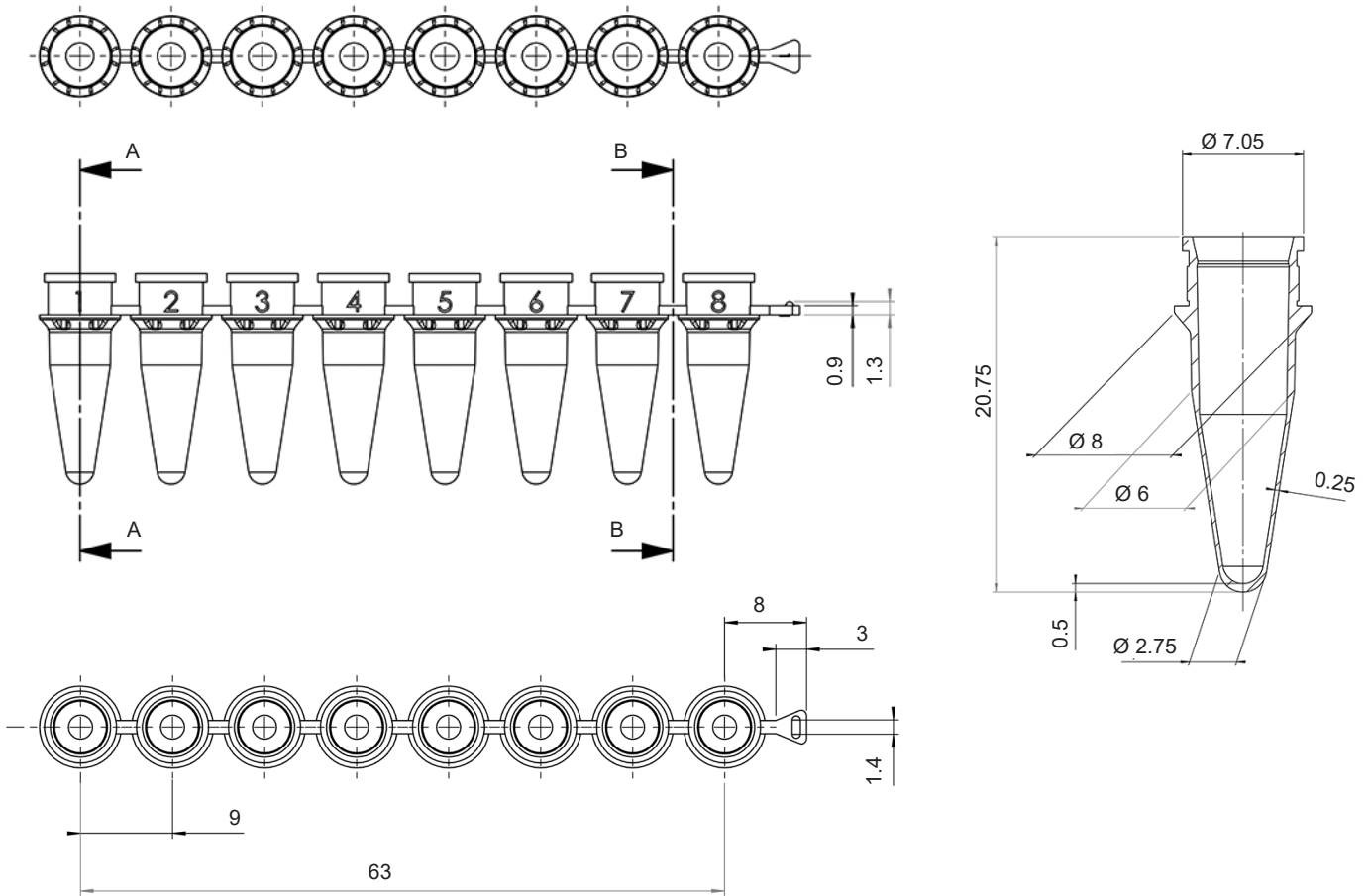
Type	standard
Volume	0.2 ml / tube
Material	PP
Color	blue
Cap	detached cap strips
Quality	Cleanroom class 8 according to ISO 14 644-1, Free of DNA*, RNase and DNase, Free of pyrogens, according to LAL test **, Free of PCR inhibitors

* human and bacterial DNA, ** according to Limulus Amebocyte Lysate (LAL) test, detection limit 0.01 EU/ml



Subject to technical modification without notice. Errors excepted.

Strip of 8 PCR Tubes, 0.2 ml 781325



Dimensions in mm

Type	standard
Volume	0.2 ml / tube
Material	PP
Color	white
Cap	detached cap strips
Quality	Cleanroom class 8 according to ISO 14 644-1, Free of DNA*, RNase and DNase, Free of pyrogens, according to LAL test **, Free of PCR inhibitors

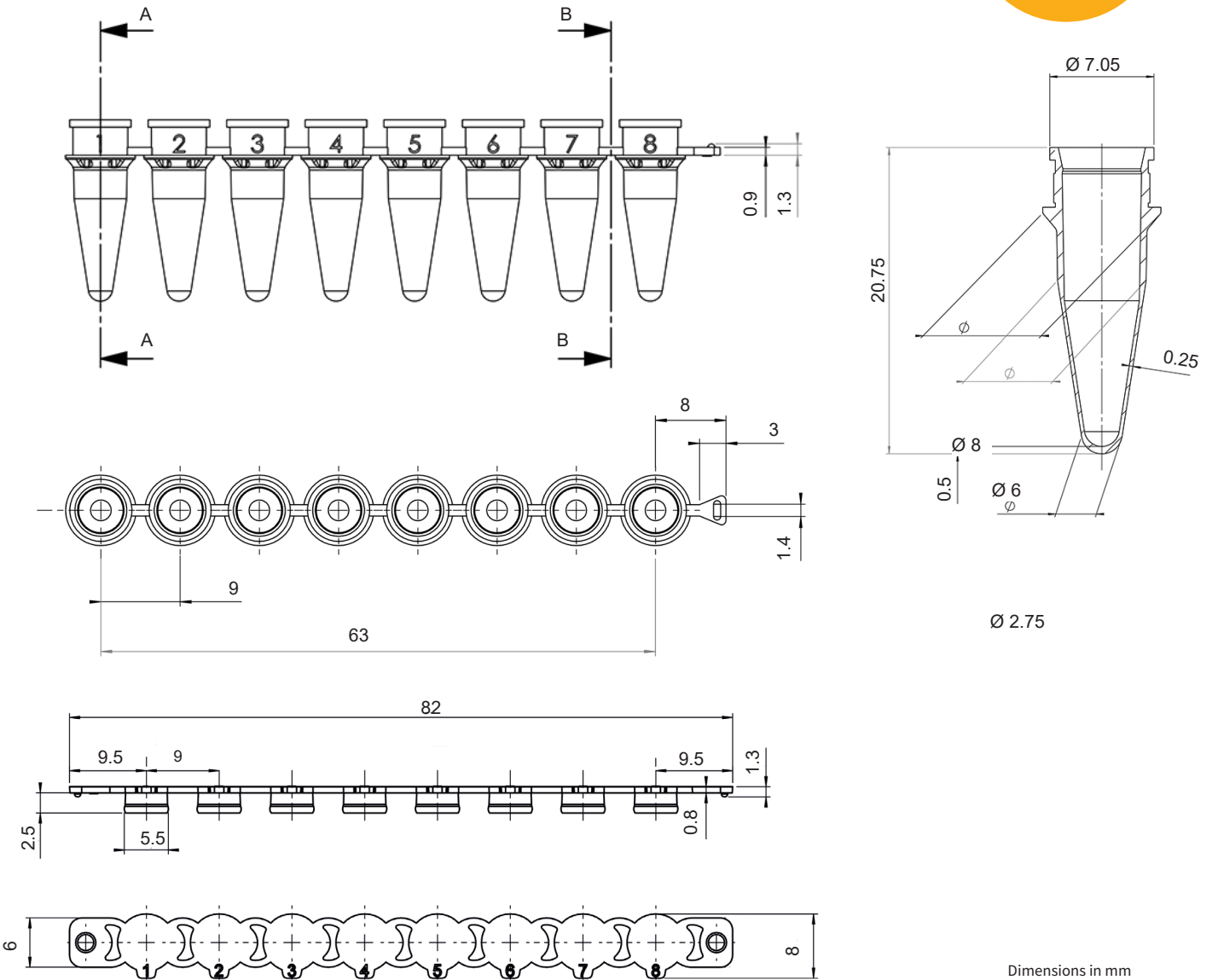
* human and bacterial DNA, ** according to Limulus Amebocyte Lysate (LAL) test, detection limit 0.01 EU/ml



Subject to technical modification without notice. Errors excepted.

Strip of 8 PCR Tubes, 0.2 ml 781326

PRODUCT
INFORMATION



Dimensions in mm

Type	standard
Volume	0.2 ml / tube
Material	PP
Color	transparent
Cap	separated flat cap strip
Quality	Cleanroom class 8 according to ISO 14 644-1, Free of DNA*, RNase and DNase, Free of pyrogens, according to LAL test **, Free of PCR inhibitors

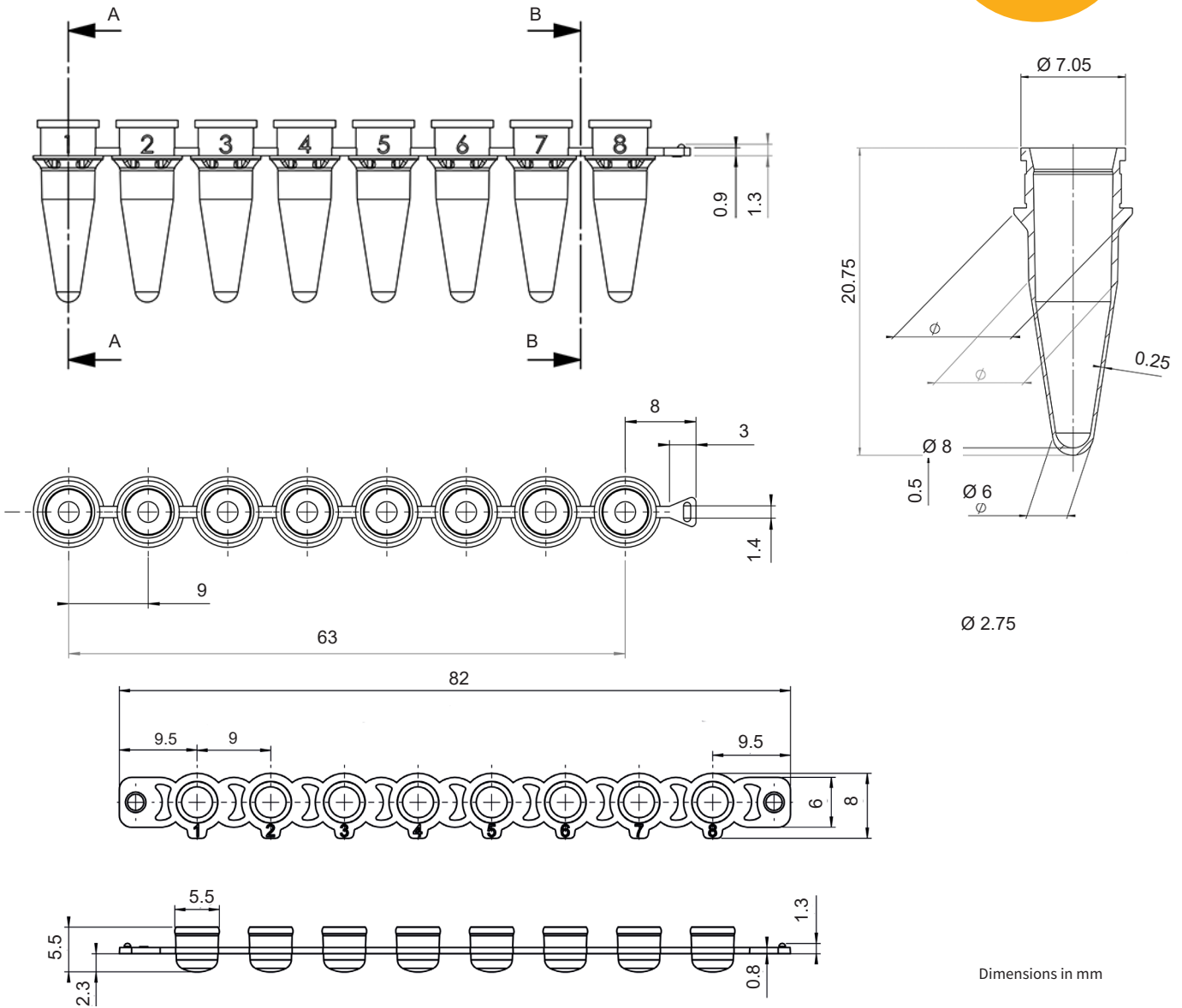
* human and bacterial DNA, ** according to Limulus Amebocyte Lysate (LAL) test, detection limit 0.01 EU/ml



Subject to technical modification without notice. Errors excepted.

Strip of 8 PCR Tubes, 0.2 ml and Cap strip of 8 781327

PRODUCT
INFORMATION



Dimensions in mm

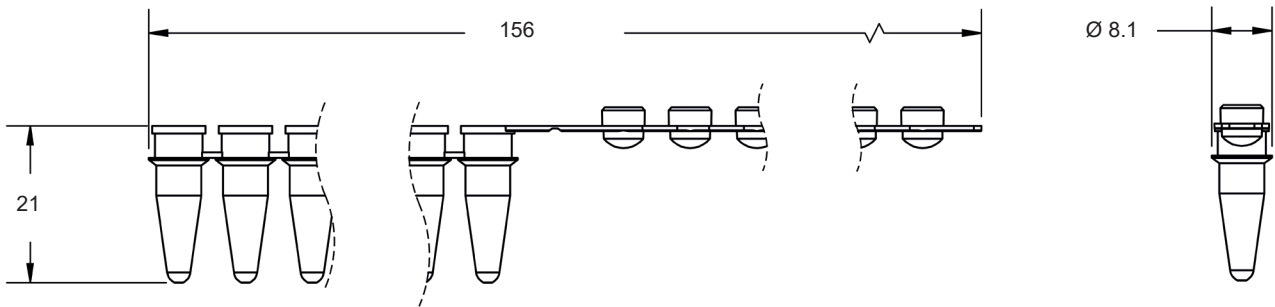
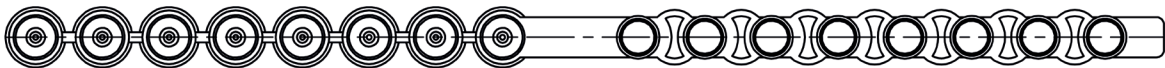
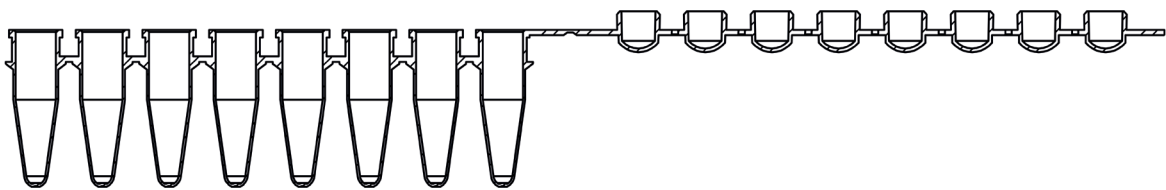
Type	standard
Volume	0.2 ml / tube
Material	PP
Color	transparent
Cap	detached domed cap strips
Quality	Cleanroom class 8 according to ISO 14 644-1, Free of DNA*, RNase and DNase, Free of pyrogens, according to LAL test **, Free of PCR inhibitors

* human and bacterial DNA, ** according to Limulus Amebocyte Lysate (LAL) test, detection limit 0.01 EU/ml



Subject to technical modification without notice. Errors excepted.

Strip of 8 PCR Tubes, 0.2 ml with attached cap strip 781330



Dimensions in mm

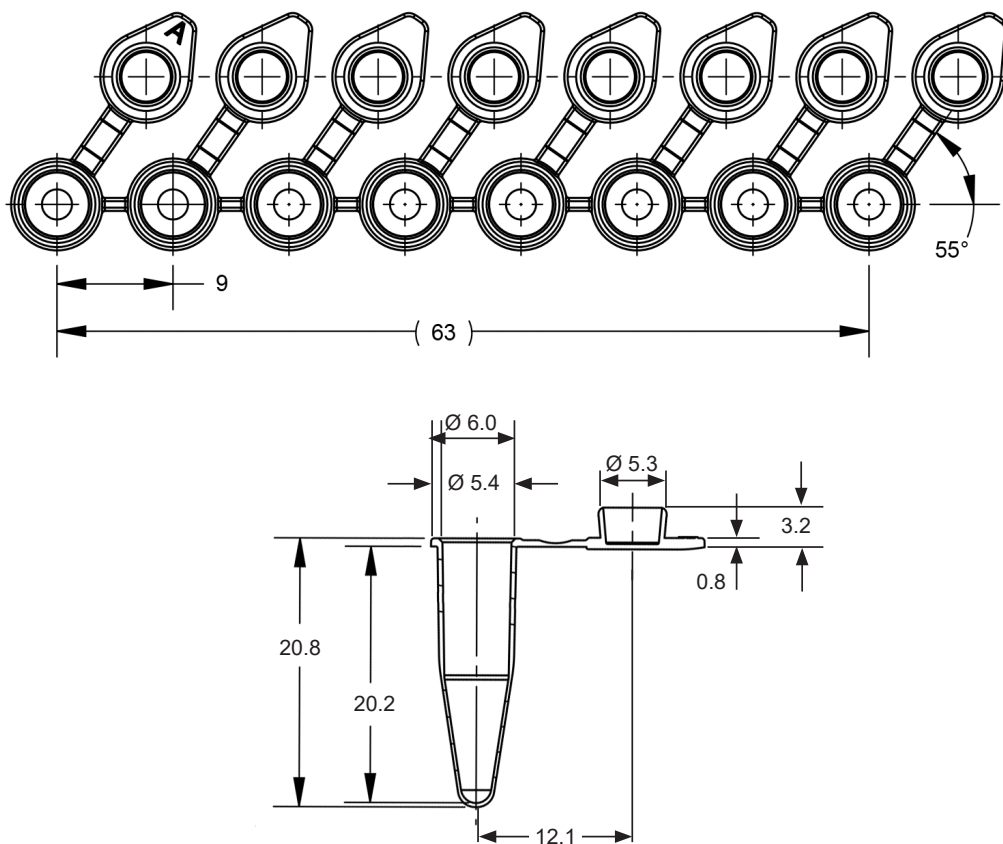
Type	standard
Volume	0.2 ml / tube
Material	PP
Color	transparent
Cap	with attached cap strip (domed)
Quality	Cleanroom class 8 according to ISO 14 644-1, Free of DNA*, RNase and DNase, Free of pyrogens, according to LAL test **, Free of PCR inhibitors

* human and bacterial DNA, ** according to Limulus Amebocyte Lysate (LAL) test, detection limit 0.01 EU/ml



Subject to technical modification without notice. Errors excepted.

Strip of 8 PCR Tubes, 0.2 ml, with cap 781332



Dimensions in mm

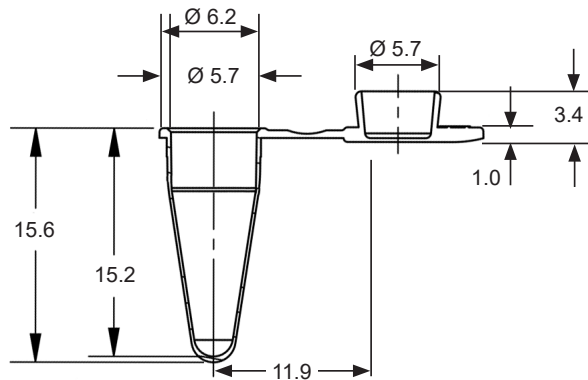
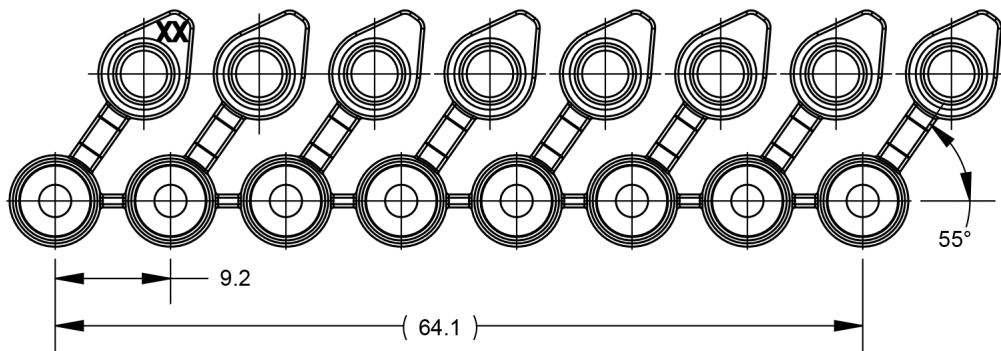
Type	standard
Volume	0.2 ml / tube
Material	PP
Color	transparent
Cap	attached, flat individual cap
Quality	Cleanroom class 8 according to ISO 14 644-1, Free of DNA*, RNase and DNase, Free of pyrogens, according to LAL test **, Free of PCR inhibitors

* human and bacterial DNA, ** according to Limulus Amebocyte Lysate (LAL) test, detection limit 0.01 EU/ml



Subject to technical modification without notice. Errors excepted.

Strip of 8 PCR Tubes, 0.15 ml, with cap 781333



Dimensions in mm

Type	low profile
Volume	0.15 ml / tube
Material	PP
Color	transparent
Cap	attached, flat individual cap
Quality	Cleanroom class 8 according to ISO 14 644-1, Free of DNA*, RNase and DNase, Free of pyrogens, according to LAL test **, Free of PCR inhibitors

* human and bacterial DNA, ** according to Limulus Amebocyte Lysate (LAL) test, detection limit 0.01 EU/ml



Subject to technical modification without notice. Errors excepted.