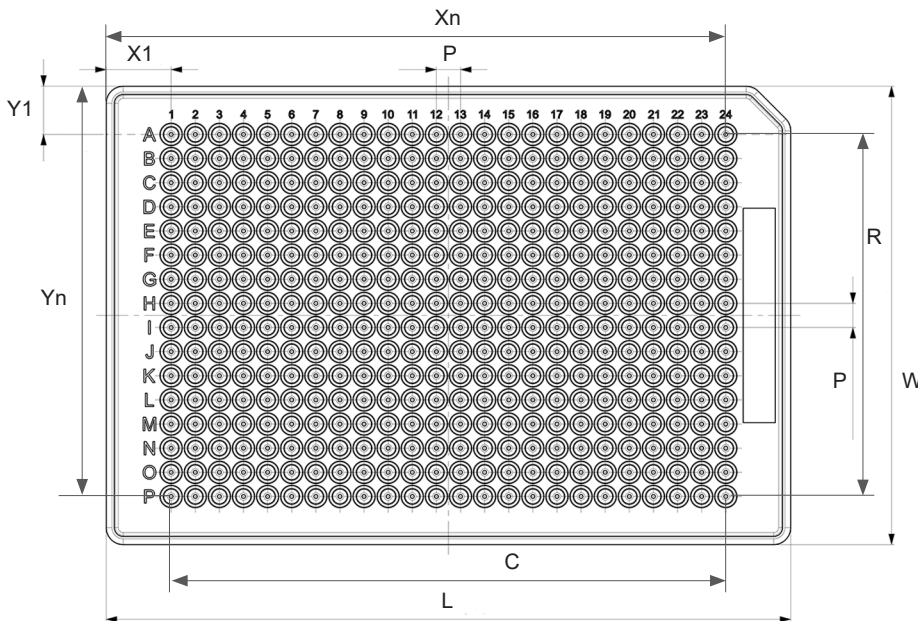
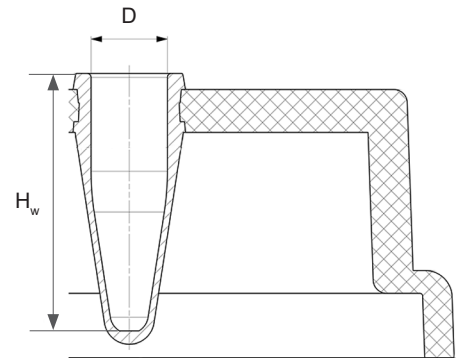
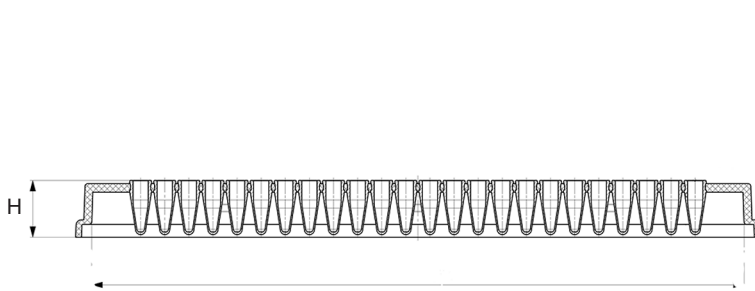


PCR-Platte 384-well, rigid frame PC/PP, frosted, wells transparent 781538



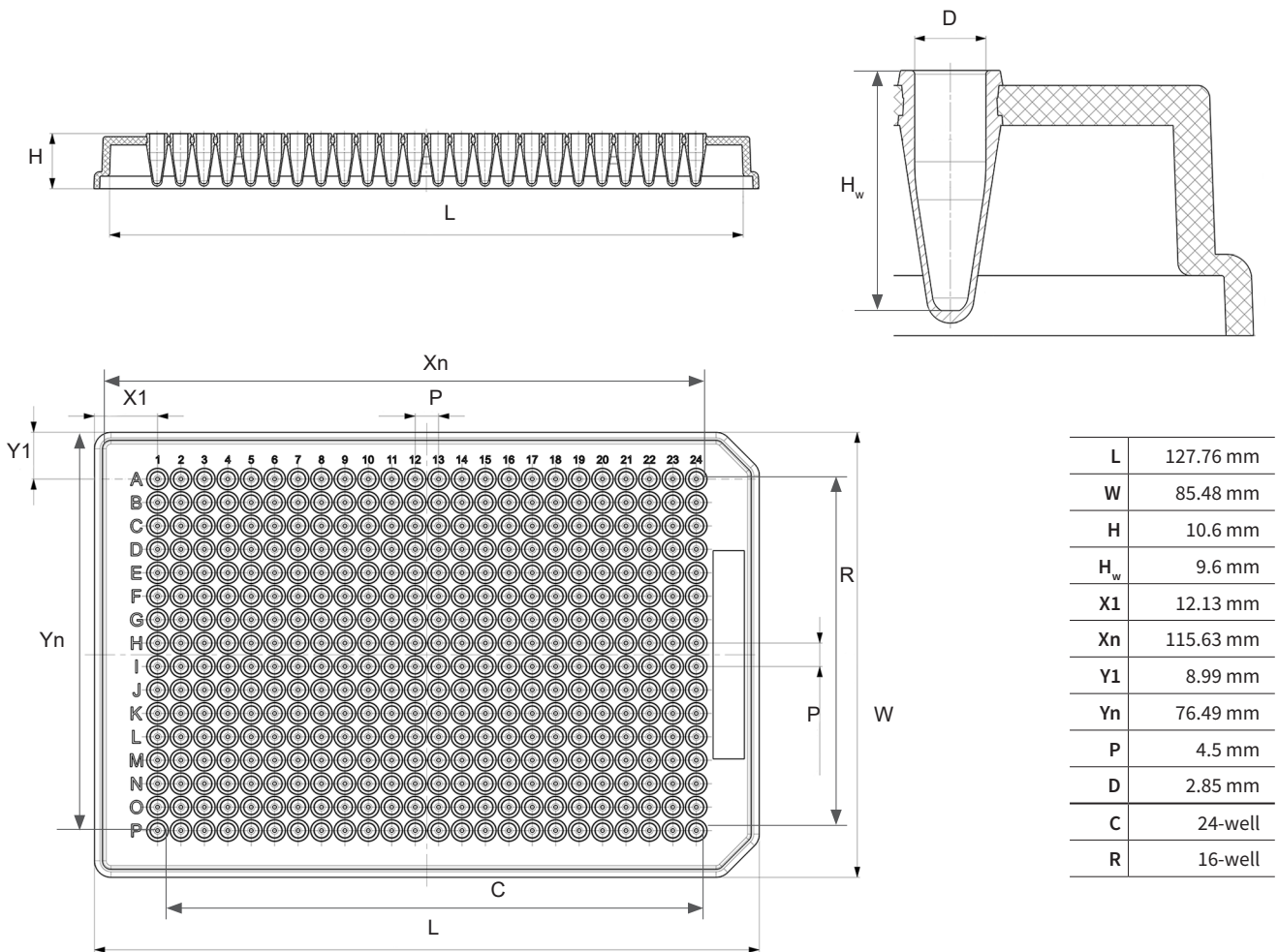
L	127.76 mm
W	85.48 mm
H	10.6 mm
H _w	9.6 mm
X1	12.13 mm
Xn	115.63 mm
Y1	8.99 mm
Yn	76.49 mm
P	4.5 mm
D	2.85 mm
C	24-well
R	16-well

Well Number	384
Type	full skirt, low profile
Nominal Volume	30 µl
Material	PC/PP
Cut corner	A24
Quality	BIO-CERT® PCR QUALITY



Subject to technical modification without notice. Errors excepted.

PCR-Platte 384-well, rigid frame PC/PP, frosted, wells white, Roche® Lightcycler®, BioRad 781539



Well Number	384
Type	full skirt, low profile
Nominal Volume	30 µl
Material	PC/PP
Cut corner	P24/A24
Quality	BIO-CERT® PCR QUALITY



Subject to technical modification without notice. Errors excepted.